

Casa de Dios

Ventilated Improved Pit Latrine



Construction Plans

Rev. May 8, 2023

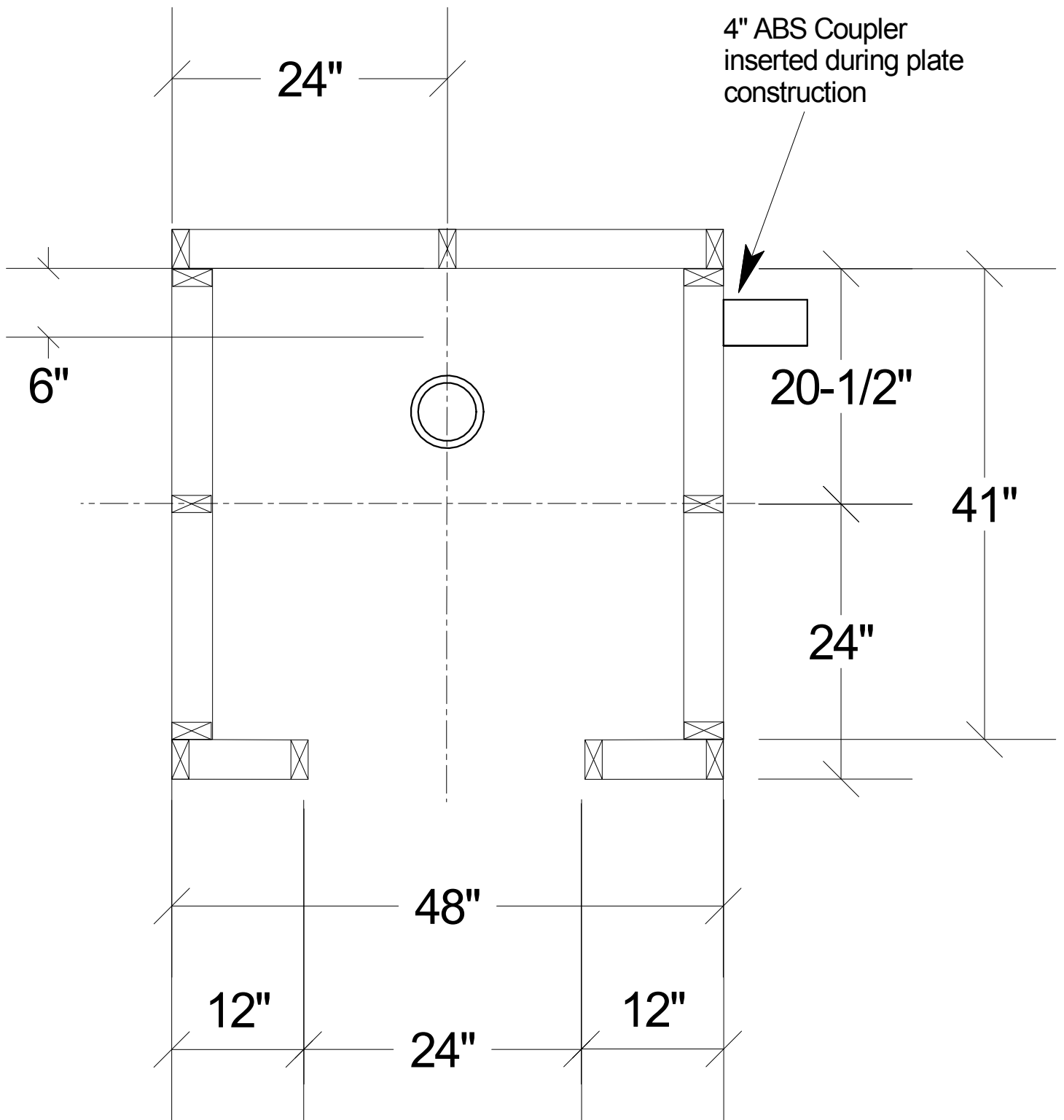
Downloads (PDF) available on-line at <https://rancholapaloma.org/>

Special Thanks to Hector Rubio for his service and help in creating these plans.

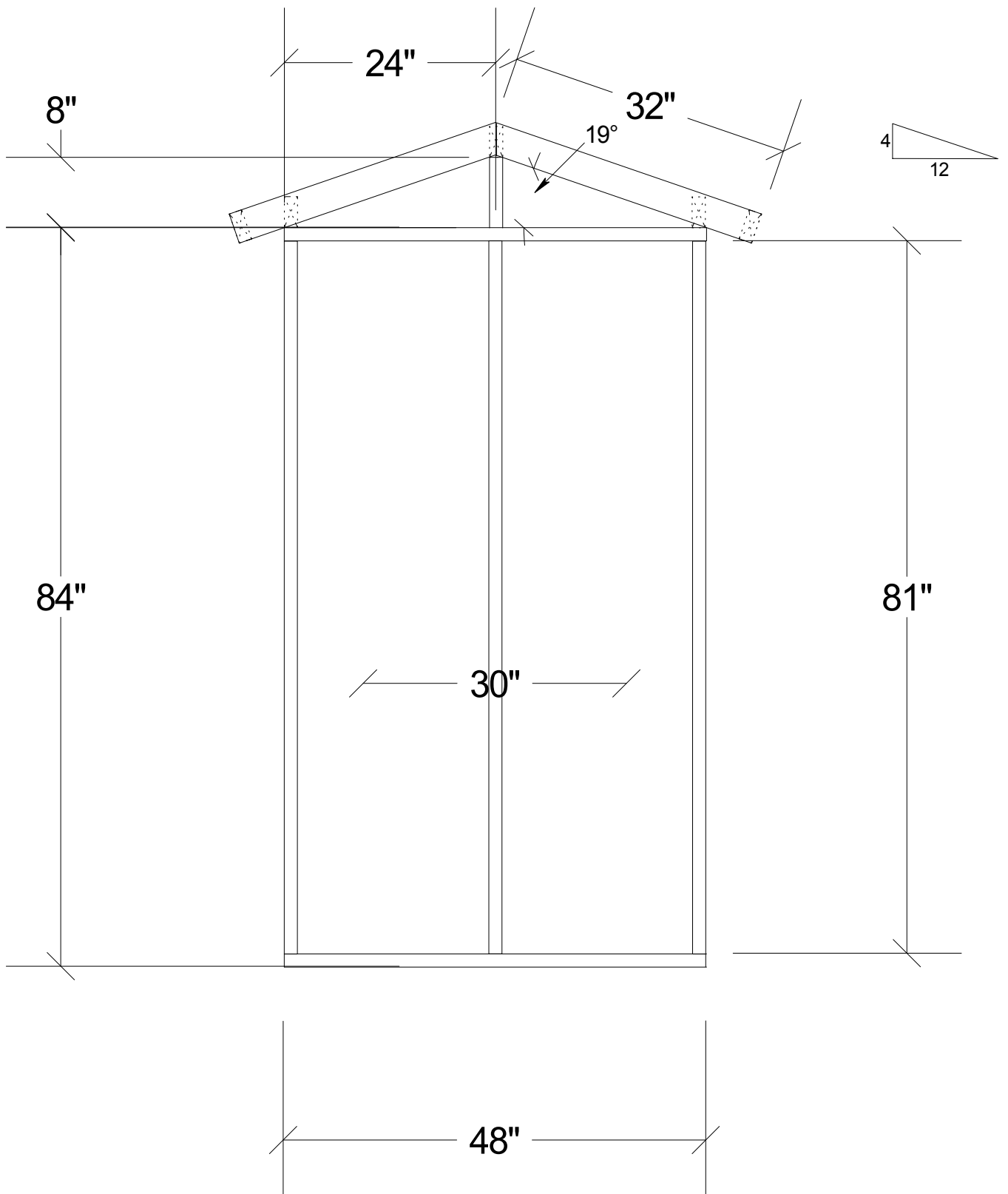
©Copyright 2004, 2005 David Bower, Team Casa de Dios.

Permission is freely granted to copy and use for non-profit organizations.

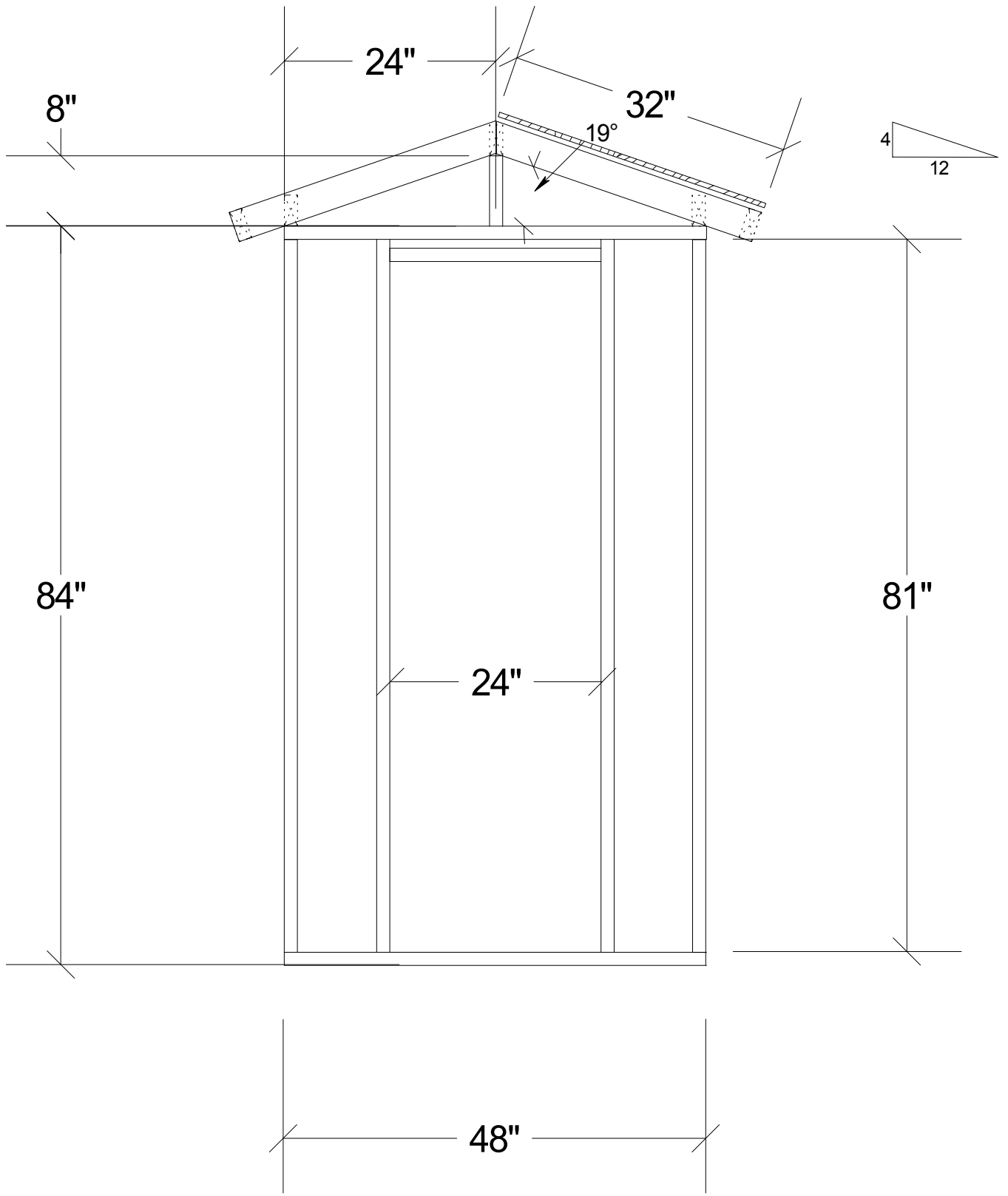
All others must obtain prior permission.



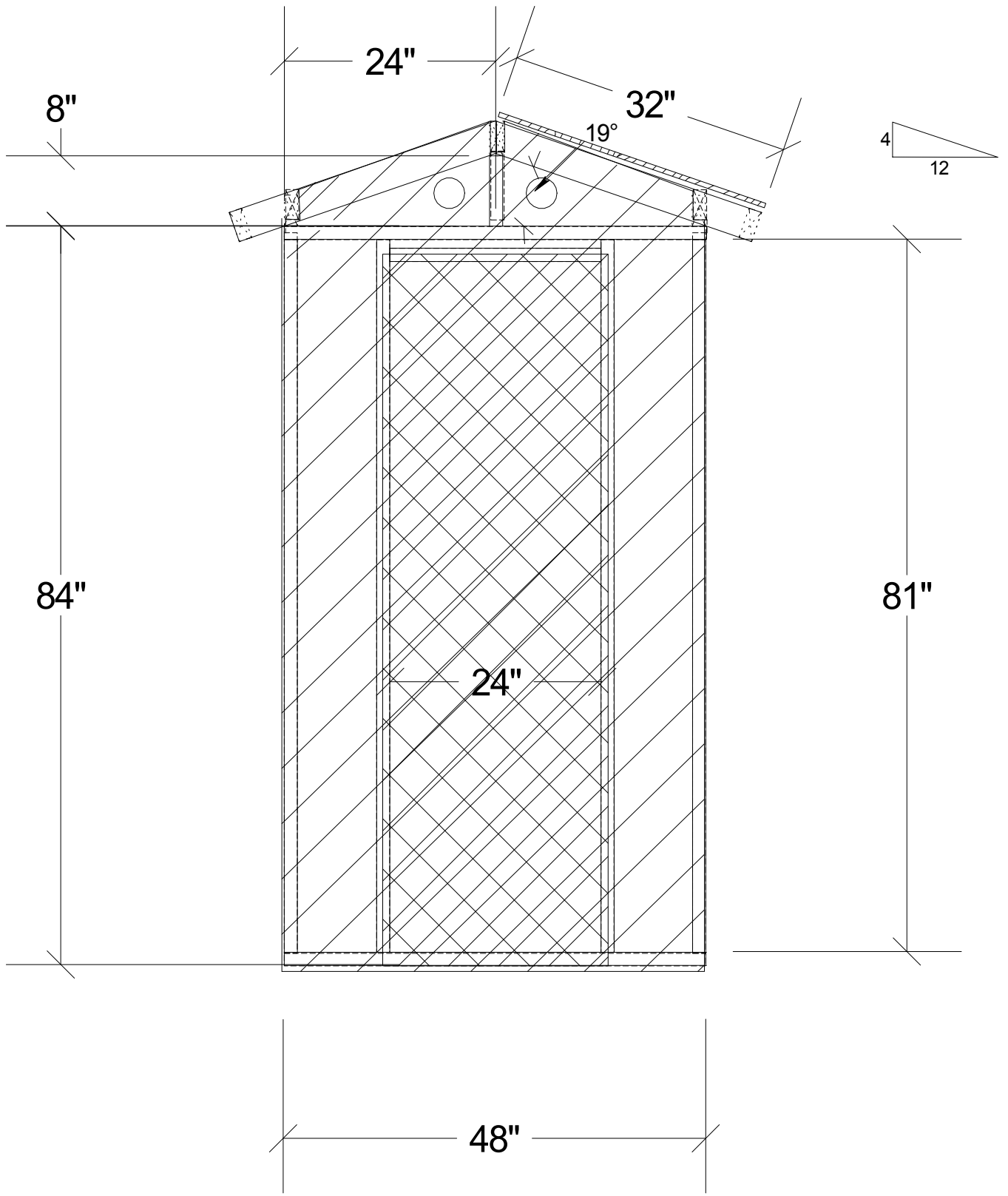
Latrine Floor Plan



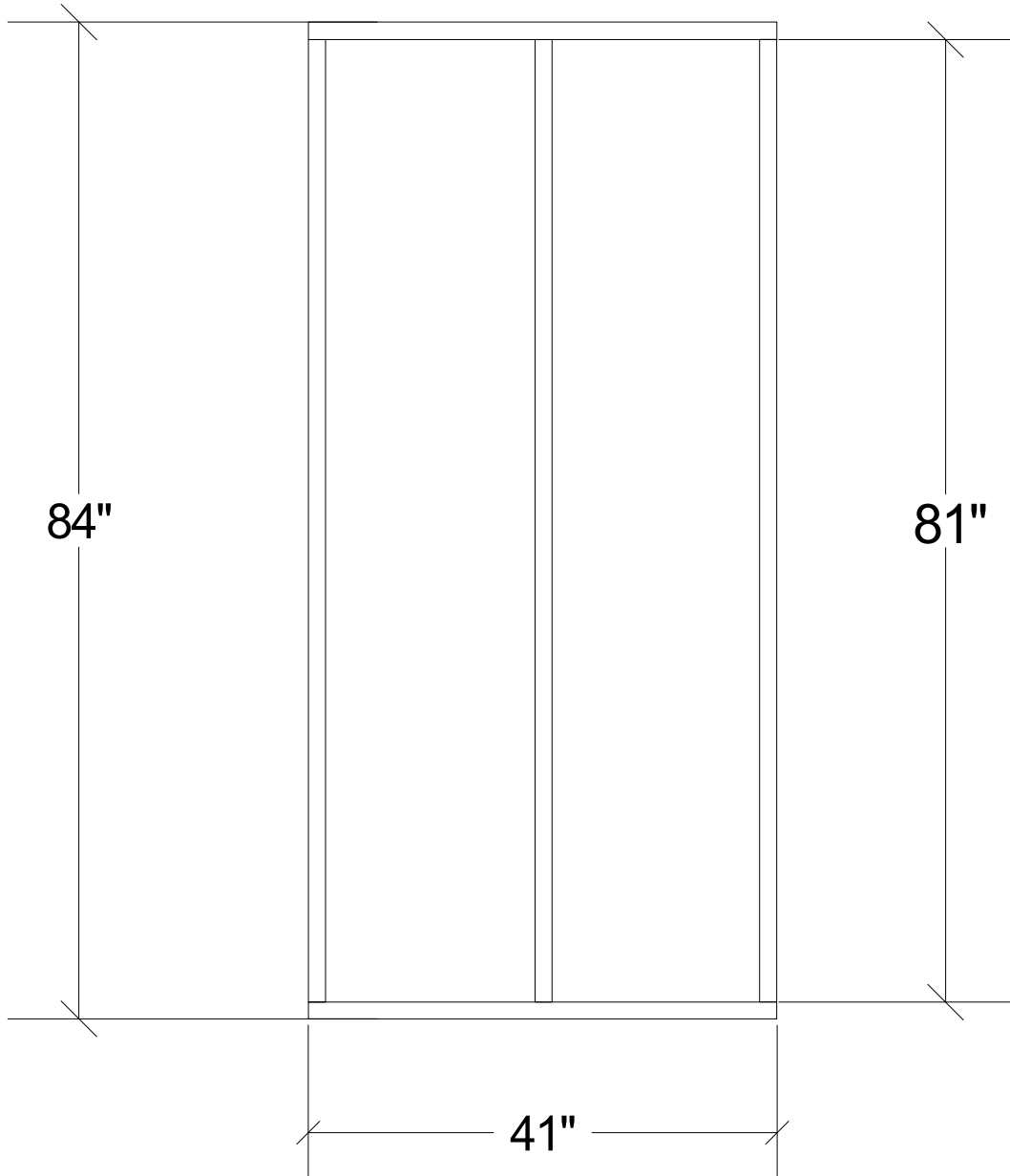
Front Elevation



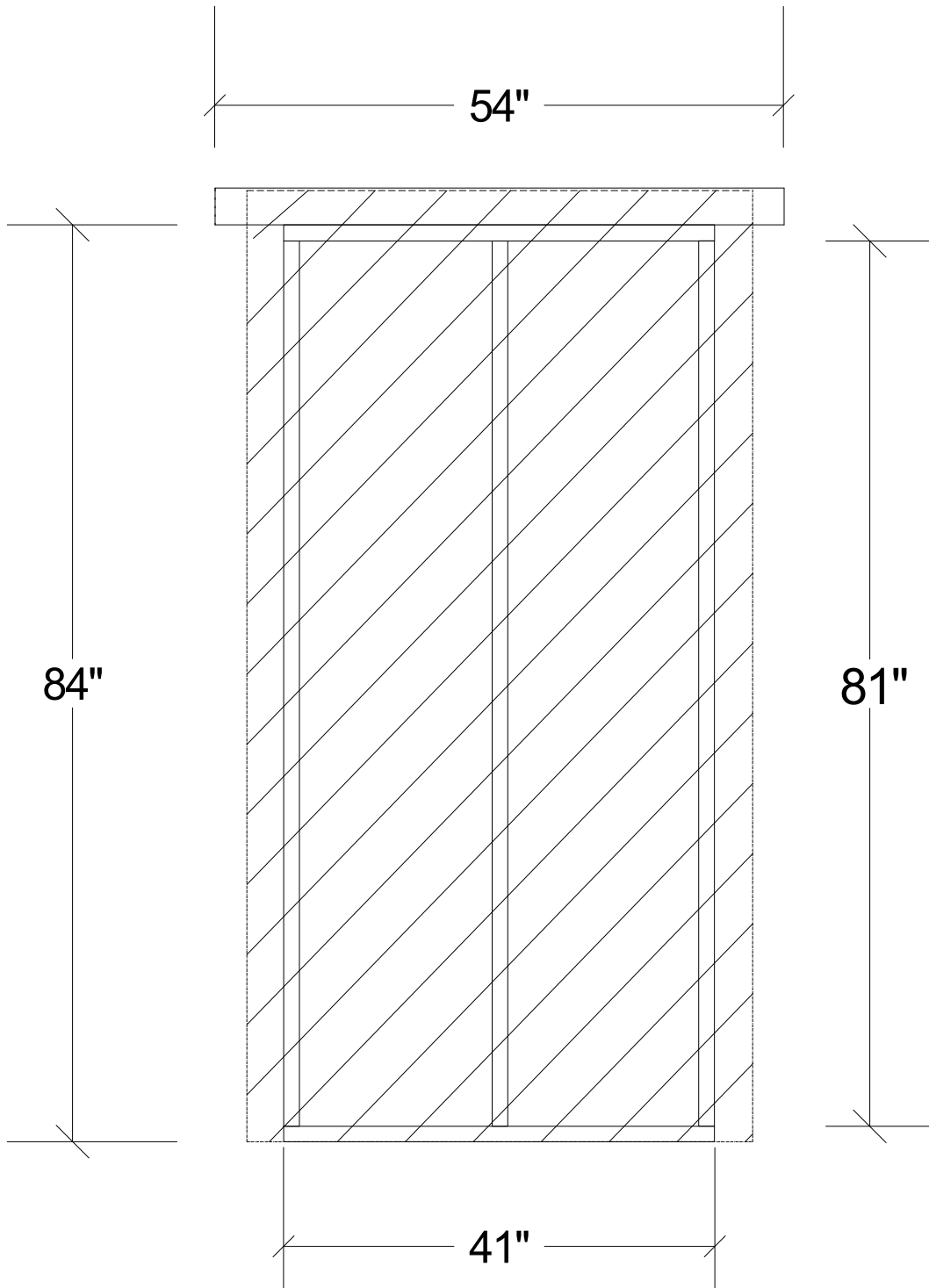
Front Elevation



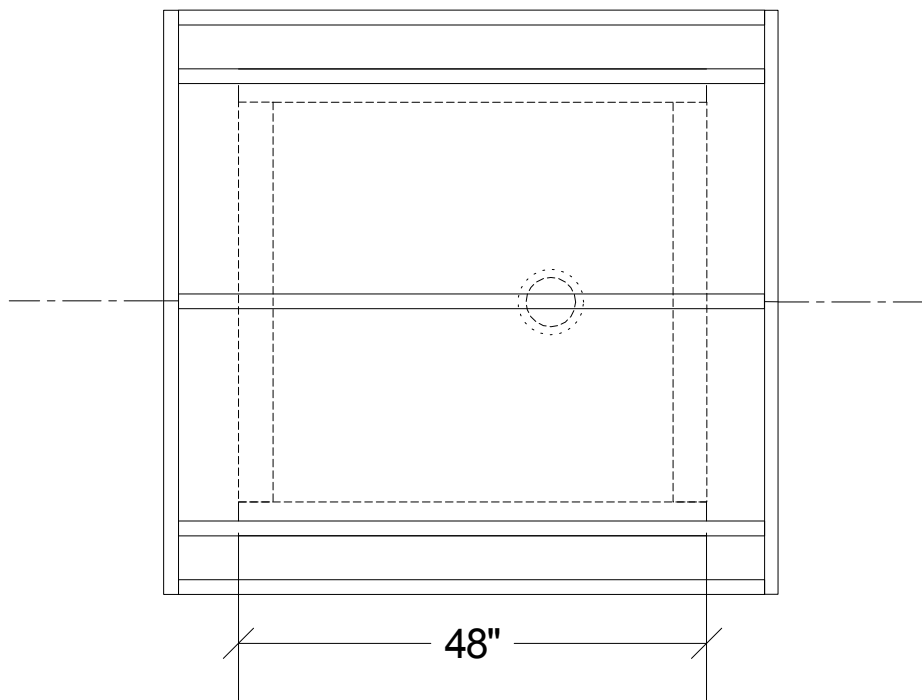
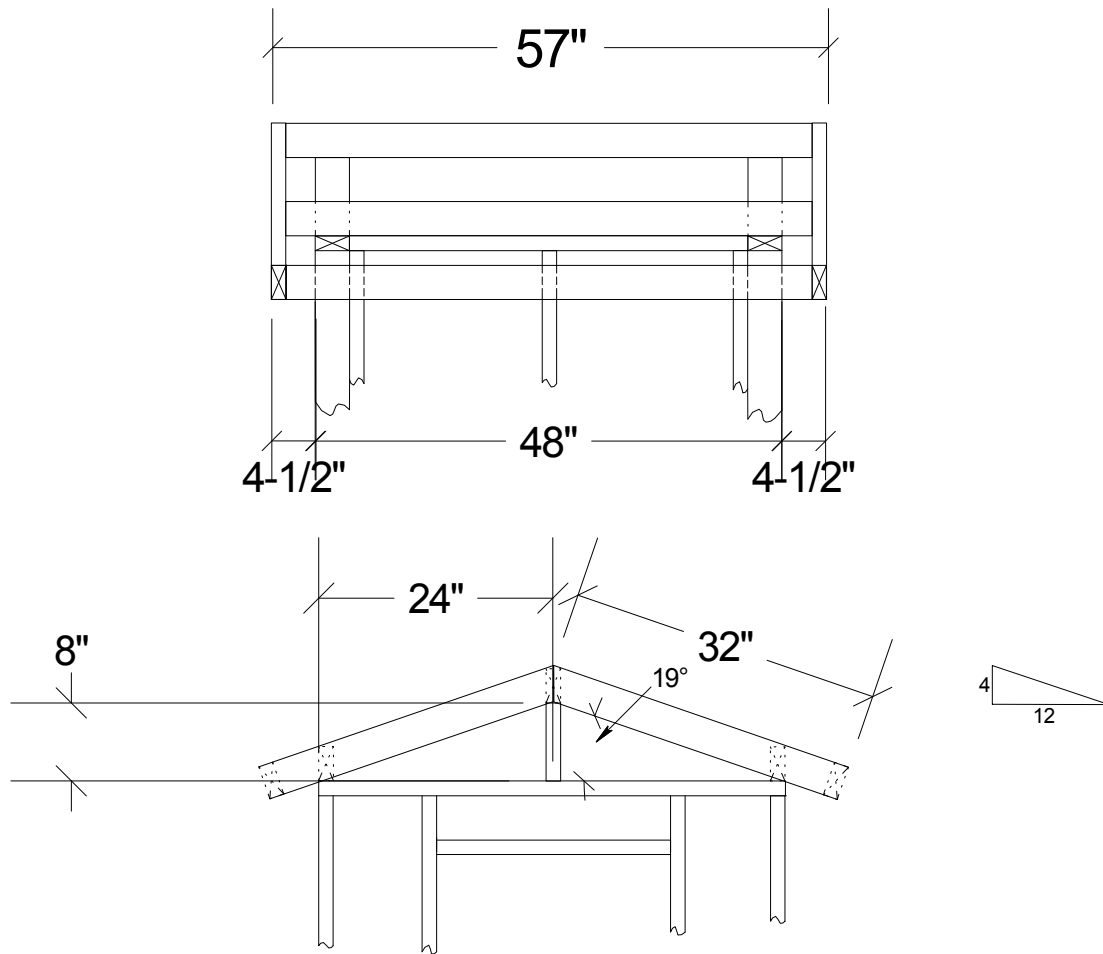
Front Elevation



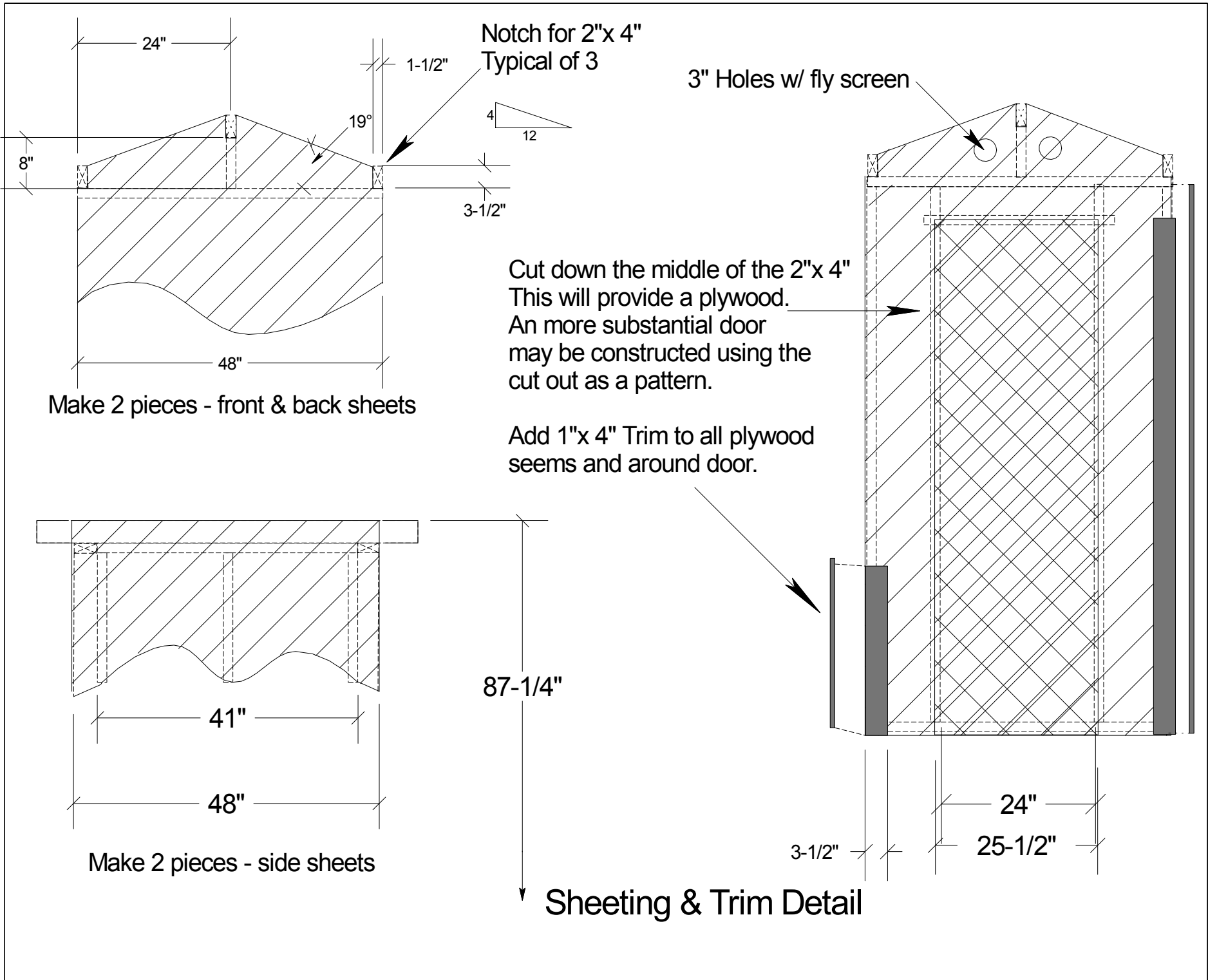
Side Elevation 2 Required

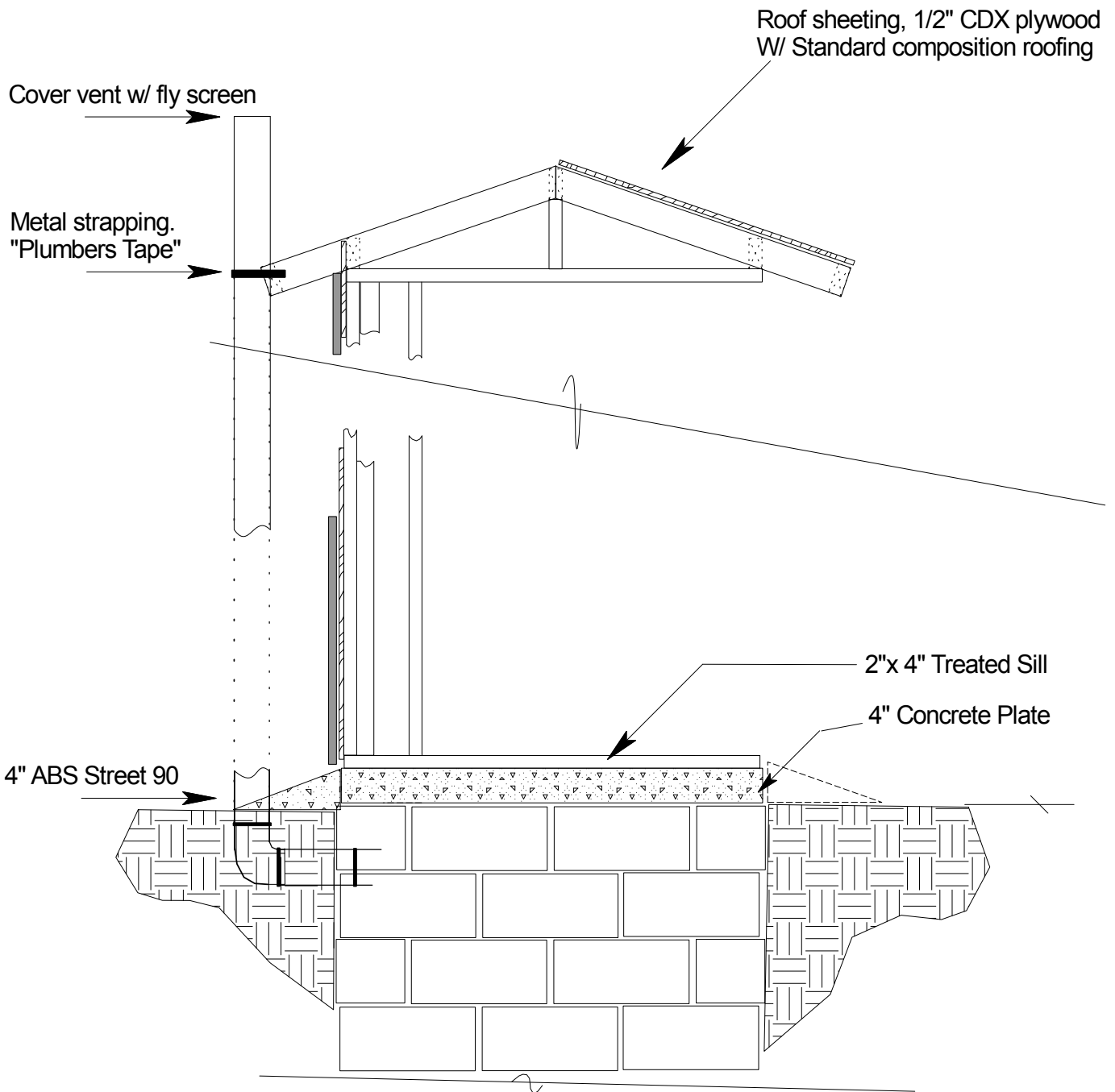


Side Elevation 2 Required



Roof Framing





Vent and In-Ground Section