



CASA DE DIOS



Construction Plans



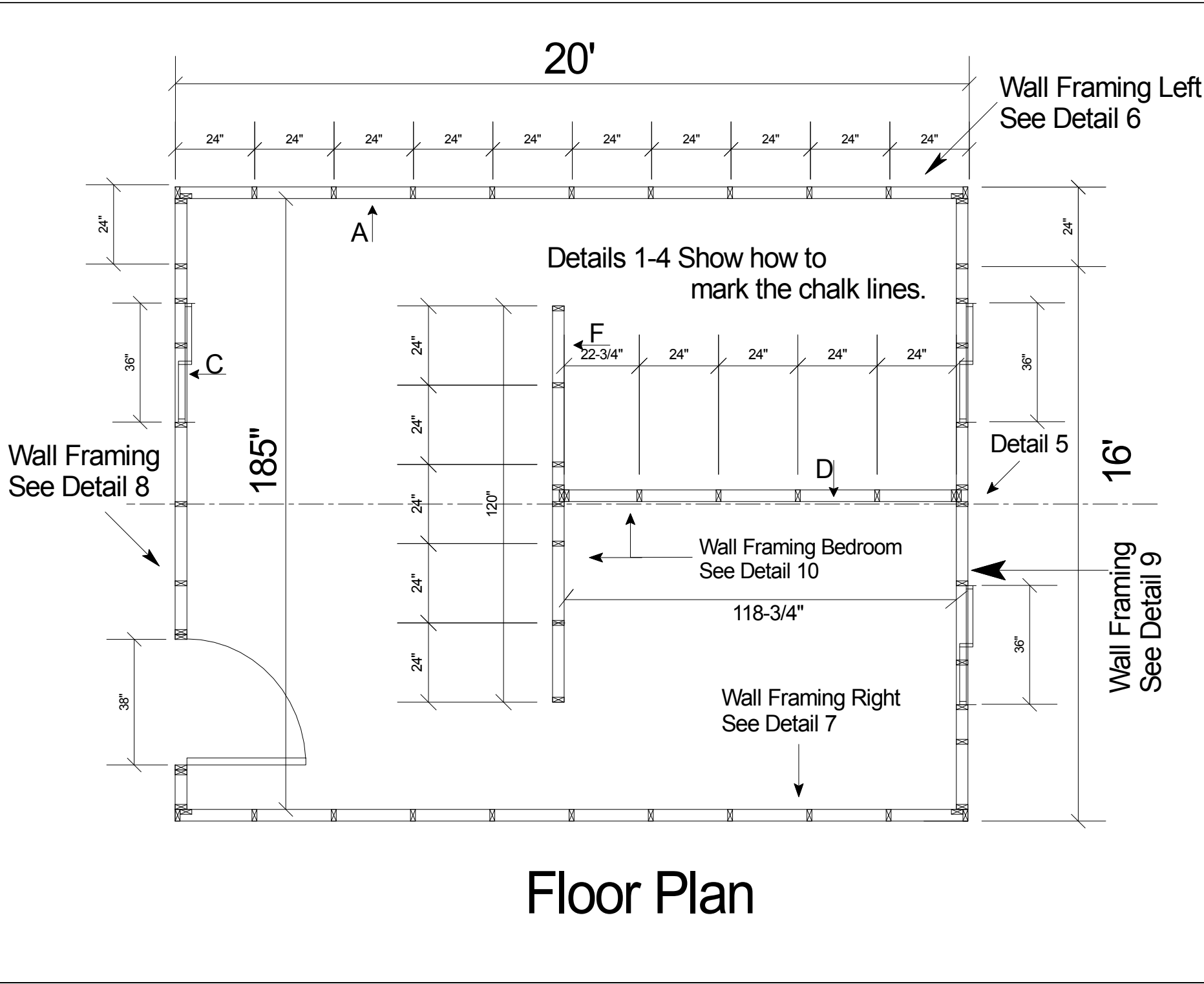
Casa de Dios Cut List

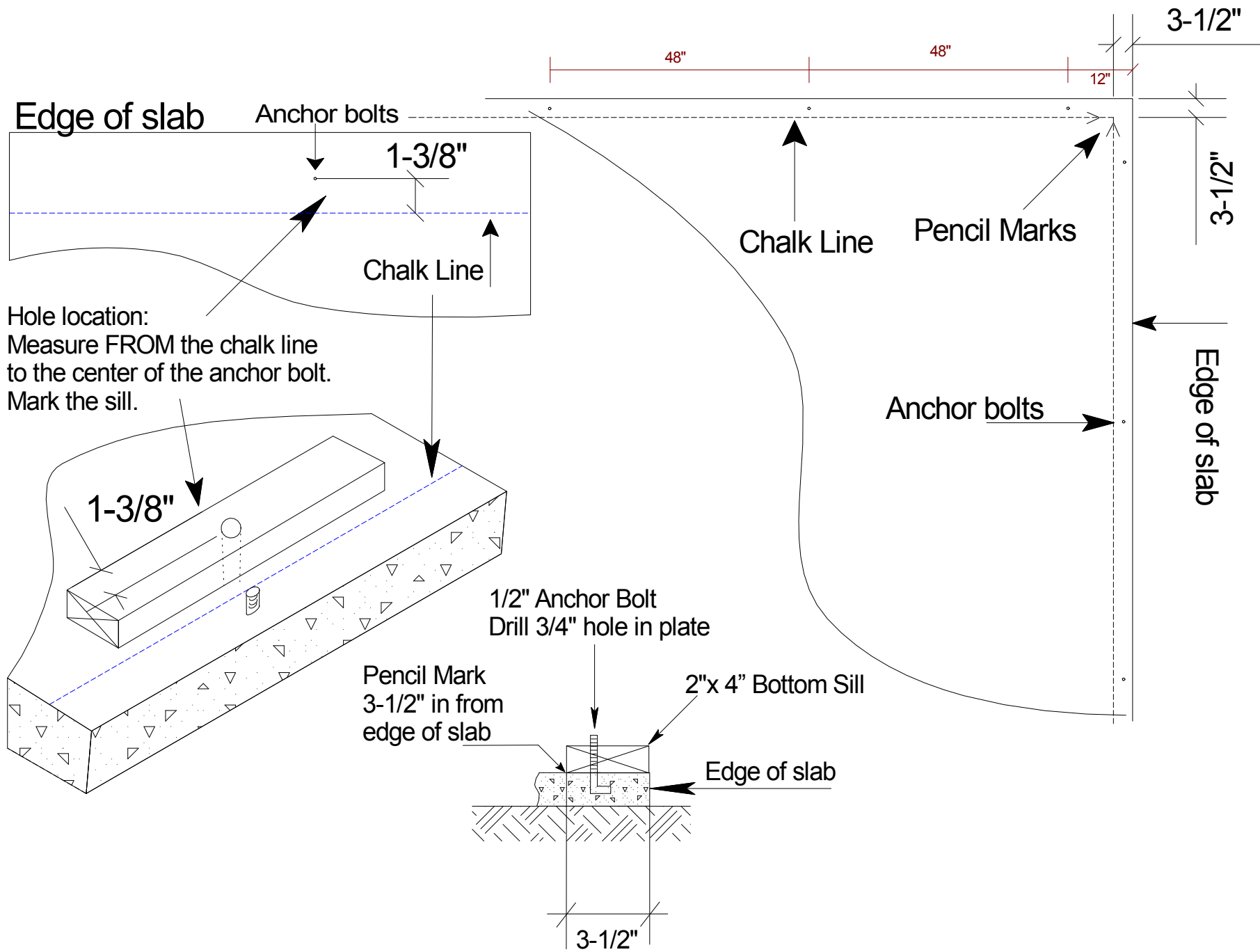
Legend	Qty	Dimension	Location/Description
A	4	2"x 4" x 20'	Long Wall Top and Bottom Plate
B	4	2"x 4" x 185"	Short Wall Top and Bottom Plate
C	3	2"x 4" x 16'	Top Plates Short Walls
D	4	2"x 4" x 118-3/4"	Bedroom /Center Wall Top Plate
E	2	2"x 4" x 110-3/4"	Top Plates Long Walls
F	2	2"x 4" x 10'	Bedroom Top/Bottom Plate
G	55	2"x 4" x 92-1/4"	Wall Studs
H	9	2"x 4" x 36"	Window Frames/Cripples/Headers
I	3	2"x 4" x 17-1/4"	Window Top Cripple
J	6	2"x 4" x 79"	Interior Wall Studs
K	1	2"x 4" x 41"	Door Header
L	4	2"x 4" x 10-1/4"	Door Cripple
H	2	2"x 4" x 36"	Headers bedroom Door
L1	4	2"x 4" x 11-3/4"	Door Cripple Center Wall
M	2	2"x 4" x 80-1/2"	Door studs
N	2	2"x 6" x 117-1/4"	Ledger Bedroom/Loft
O	5	2"x 6" x 182"	Bedroom Ceiling Joists
O1	1	2"x 6" x 16'	Bedroom Ceiling Joists
J1	2	48" x 96"	3/4" Plywood Loft
K1	1	48"x 94-1/2"	3/4" Plywood Loft
L2	1	40-3/4" x 94-1/2"	3/4" Plywood Loft
M1	2	22-1/2"x 48"	3/4" Plywood Loft
N1	1	24"x 48"	3/4" Plywood Loft
P1	1	24"x 40-3/4"	3/4" Plywood Loft
P	1	2"x 6" x 24'	Roof Ridge
Q	4	2"x 6" x 10'	Rafter - Fascia "A"
R	4	2"x 6" x 10'	Rafter - End Wall "B"
S	18	2"x 6" x 10'	Rafter - Common "C"
T	8	2"x 6" x 45-3/4"	Roof Lookouts
U	8	2"x 6" x 22-1/2"	Pressure/Bird Blocks Roof
U1	8	2"x 6" x 22-3/8"	Pressure/Bird Blocks Roof
V	4	2"x 6" x 21-3/4"	Pressure/Bird Blocks Roof Ends
W	4	4' x 4'	1/2" Plywood Roof Sheeting
X	6	2' x 8'	1/2" Plywood Roof Sheeting
Y	4	48" x 6-1/4" x 30-1/8"	1/2" Plywood Endwall
Z	4	48" x 30-1/8" x 54"	1/2" Plywood Endwall
A1	1	2"x 4" x 46-5/8"	Center Cripple Roof Stud
B1	4	2"x 4" x 10-7/8" – 15-3/8"	End Wall Roof Cripple
C1	4	2"x 4" x 22-7/8" – 29"	End Wall Roof Cripple
D1	4	2"x 4" x 34-7/8" – 40-3/4"	End Wall Roof Cripple
E1	4	2"x 4" x 12'	Fascia
F1	2	2"x 4" x 40-3/8" – 46-1/2"	Window Loft Frames Cripples
G1	2	2"x 4" x 24"	Window Loft Frames Cripples
H1	1	2"x 4" x 13-5/8"	Window Loft Top Cripple
I1	1	2"x 4" x 6"	Window Loft bottom Cripple

Notes: Verify ALL measurements!

Check ALL windows and doors **prior** any cutting!

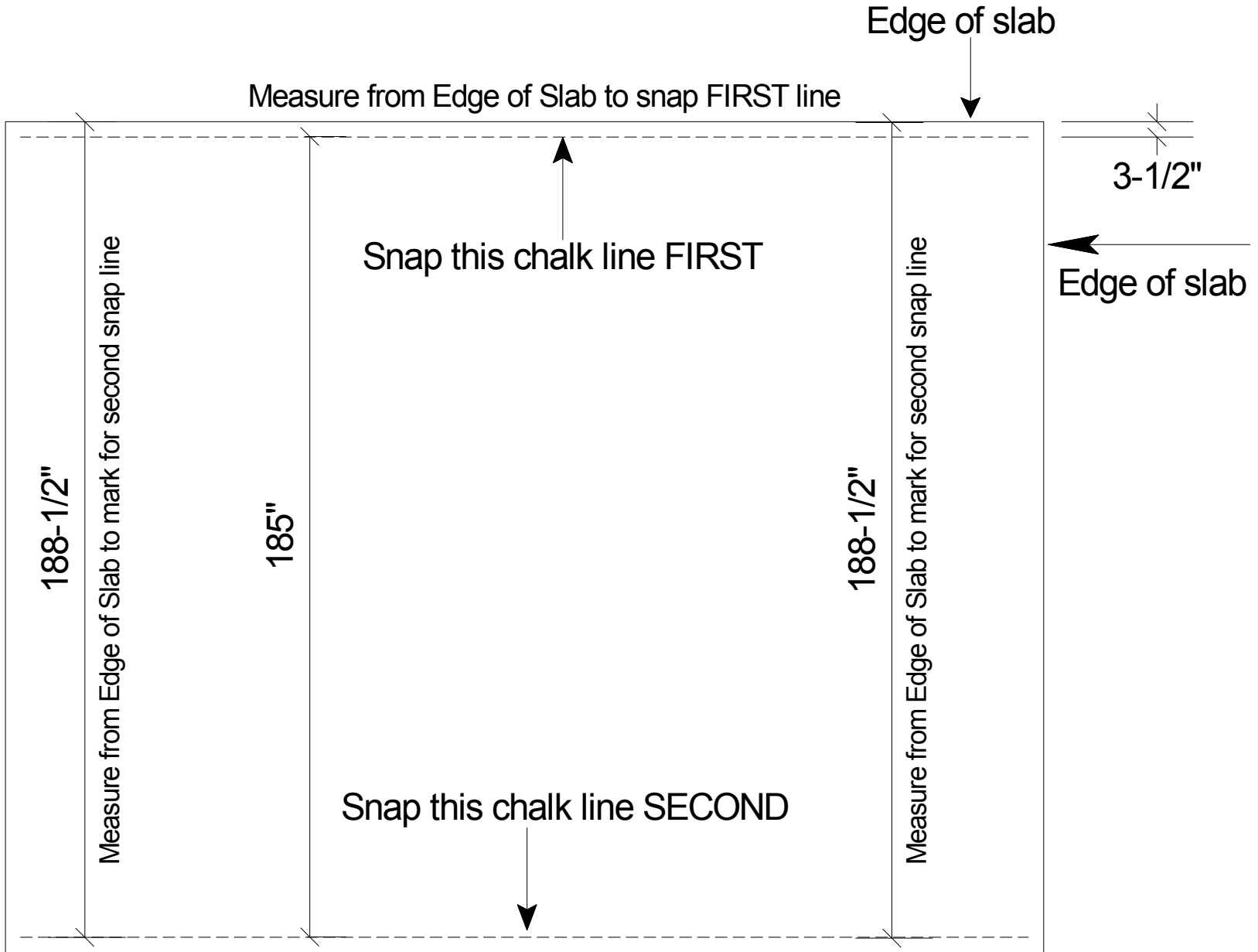
Measure twice! Cut Once!



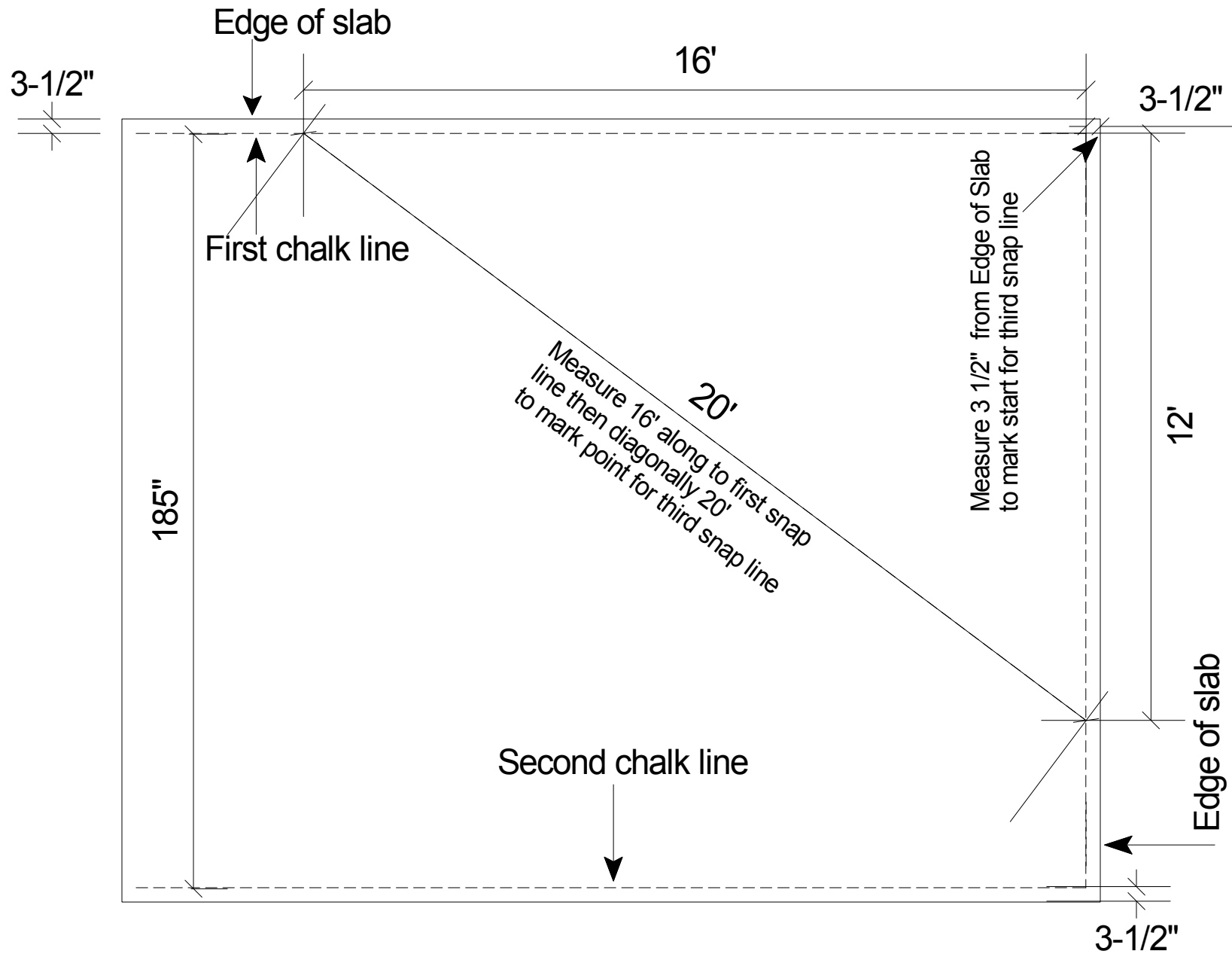


Detail 1 Layout - Marking - Chalk Lines

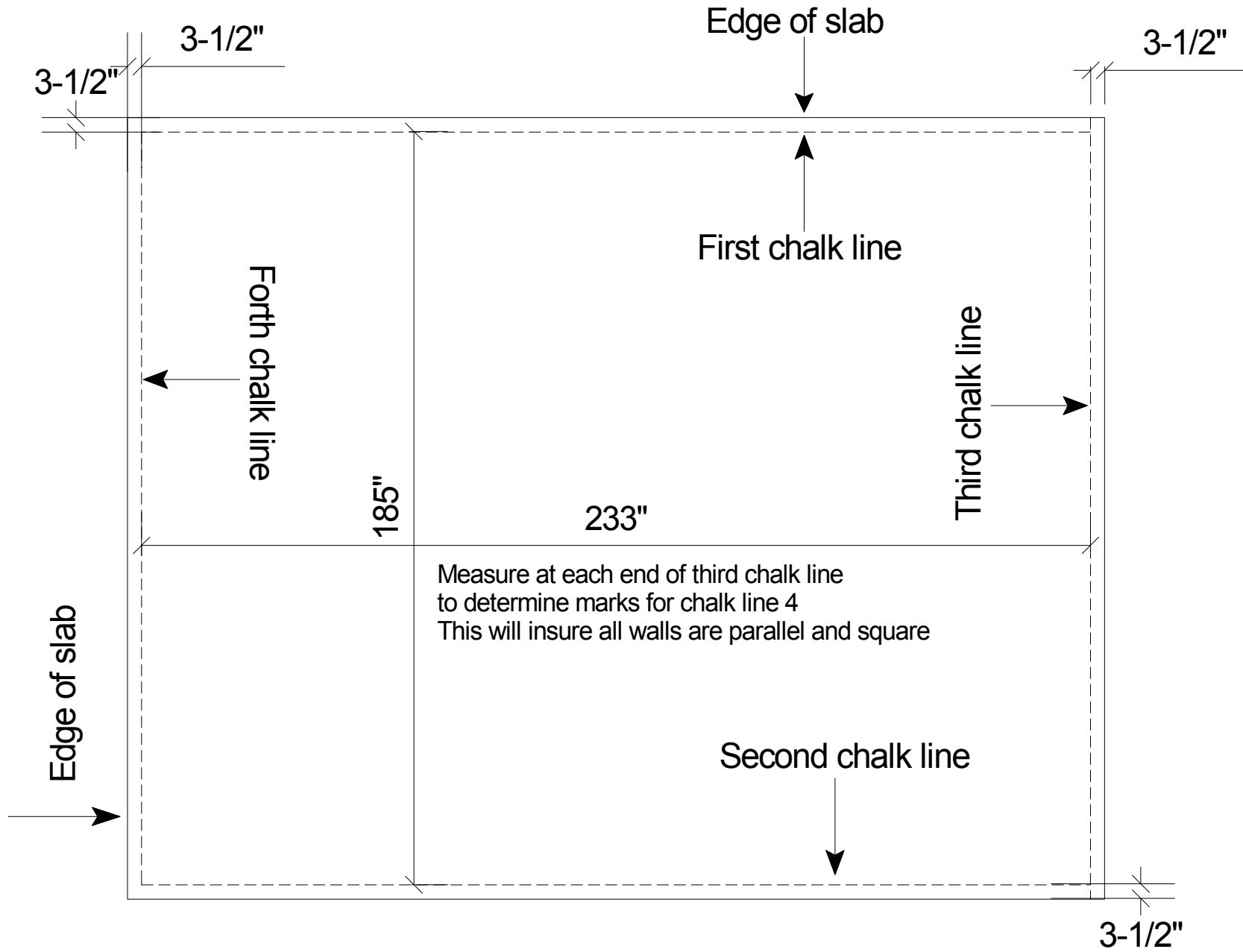
3-1/2"



Detail 2 - Layout Lines - Long Walls First

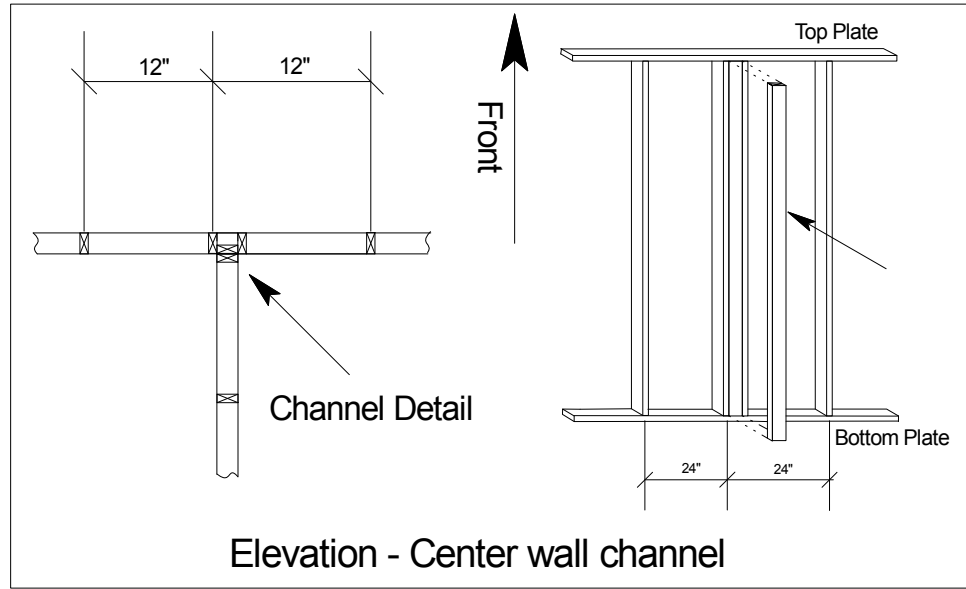
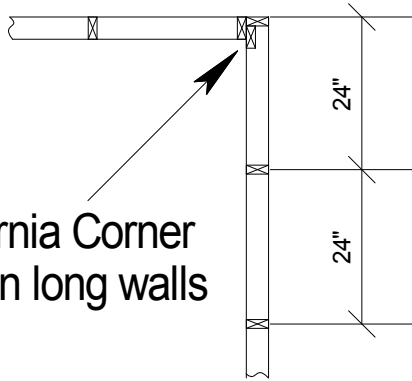


Detail 3 - Layout Lines - Short Walls Second

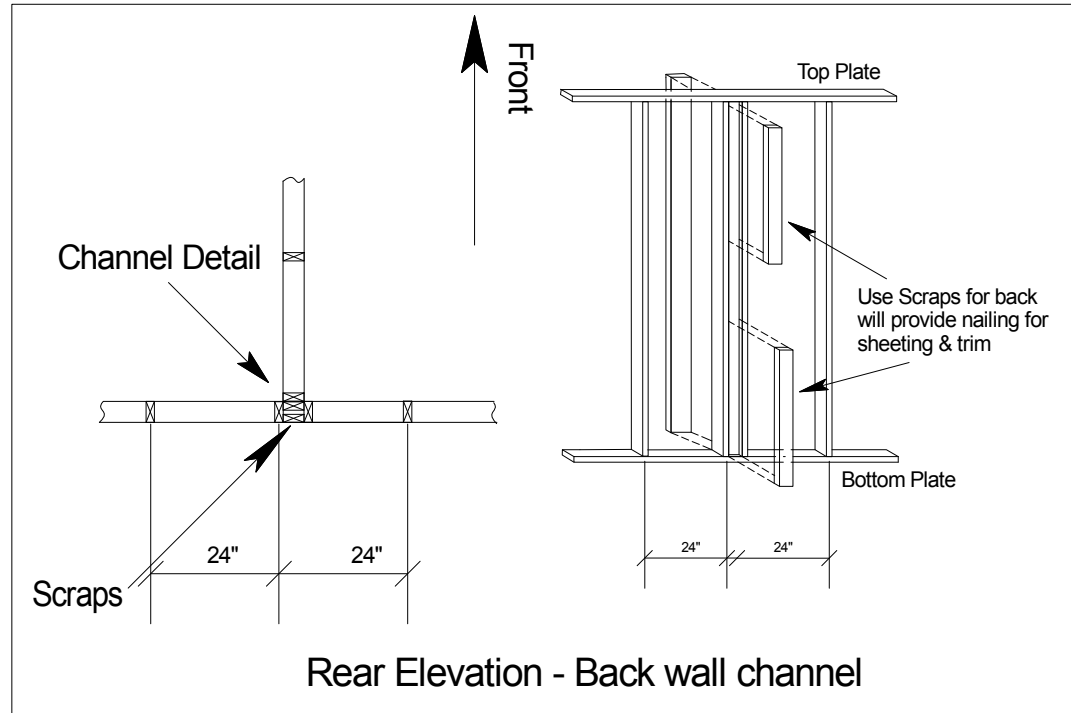


Detail 4 - Layout Lines - Short Walls Third

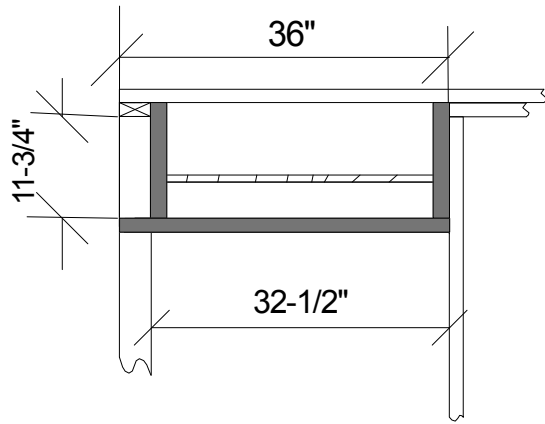
California Corner
only on long walls



Elevation - Center wall channel

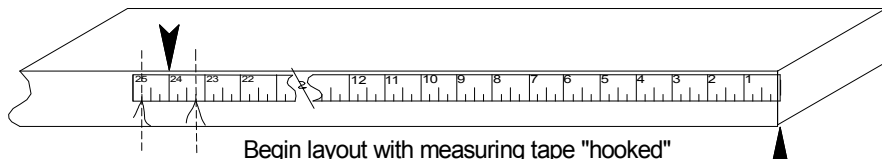
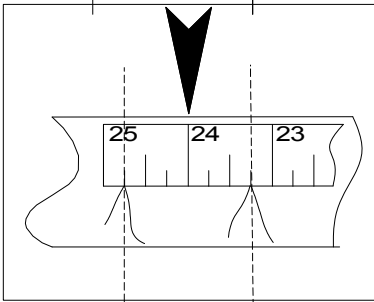
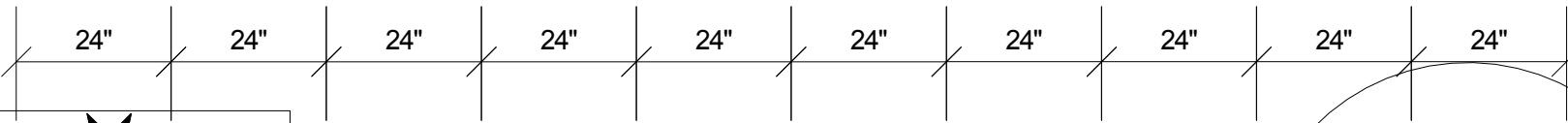
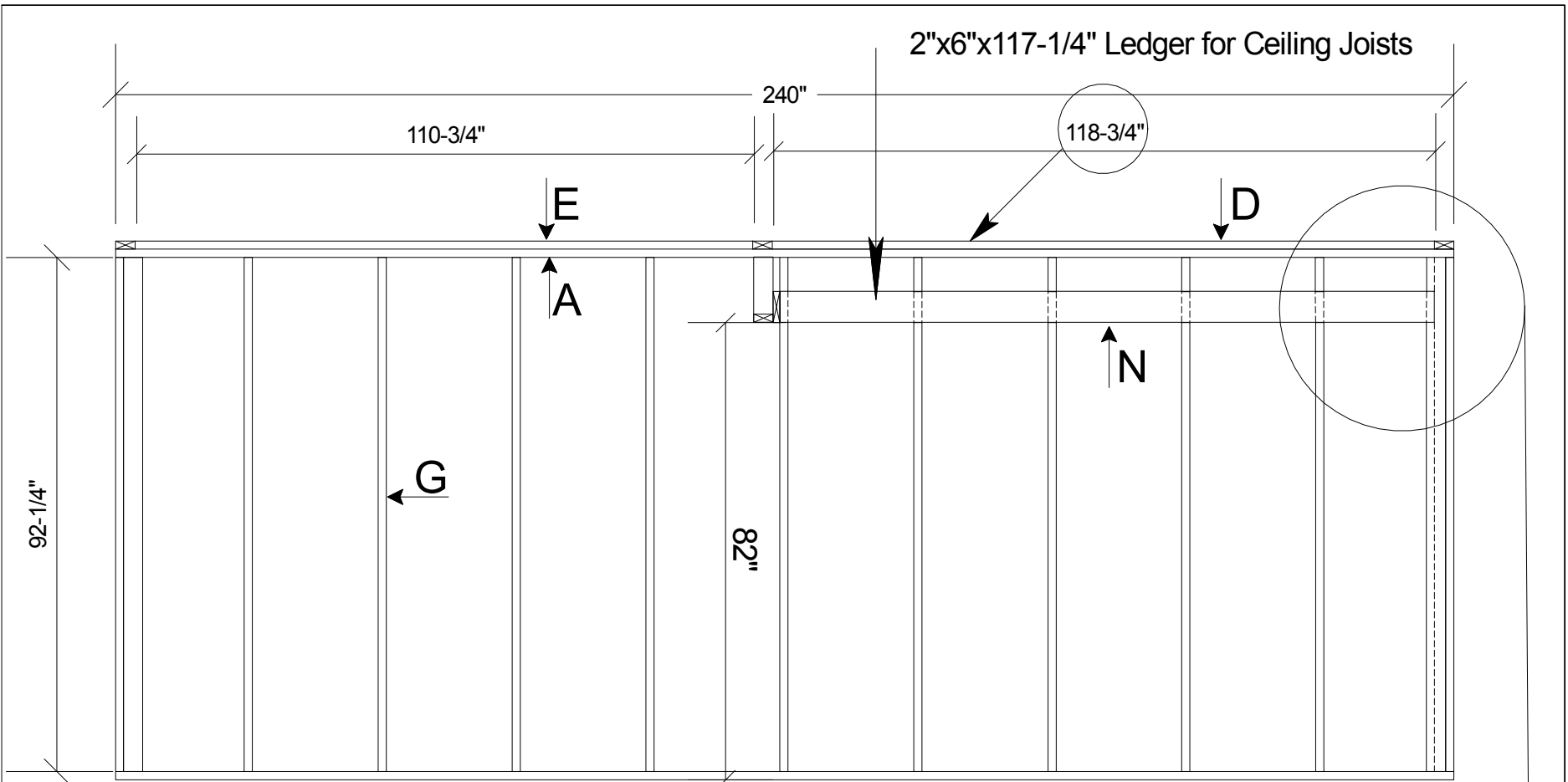


Rear Elevation - Back wall channel

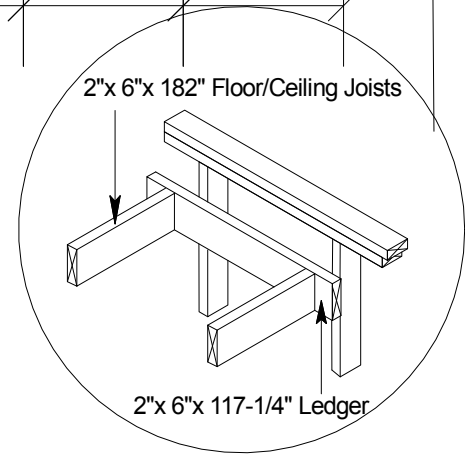


Door Header Details

Detail 5 - Floor Plan - Framing Details



Begin layout with measuring tape "hooked" one the end of the plate. Mark for 24" on center. Make two marks as illustrated. Center stud between points.



Detail 6 - Long Wall Framing Left Side

2"x6"x117-1/4" Ledger for Ceiling Joists

240"

118-3/4"

110-3/4"

82"

92-1/4"

24"

24"

24"

24"

24"

24"

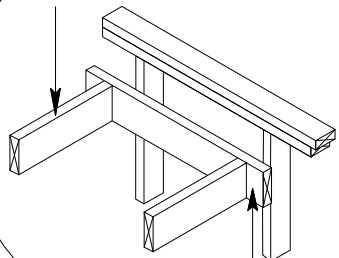
24"

24"

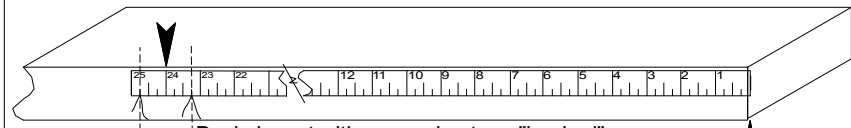
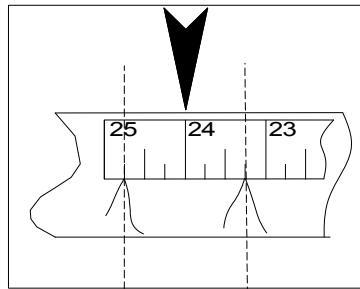
24"

24"

2"x 6"x 182" Floor/Ceiling Joists



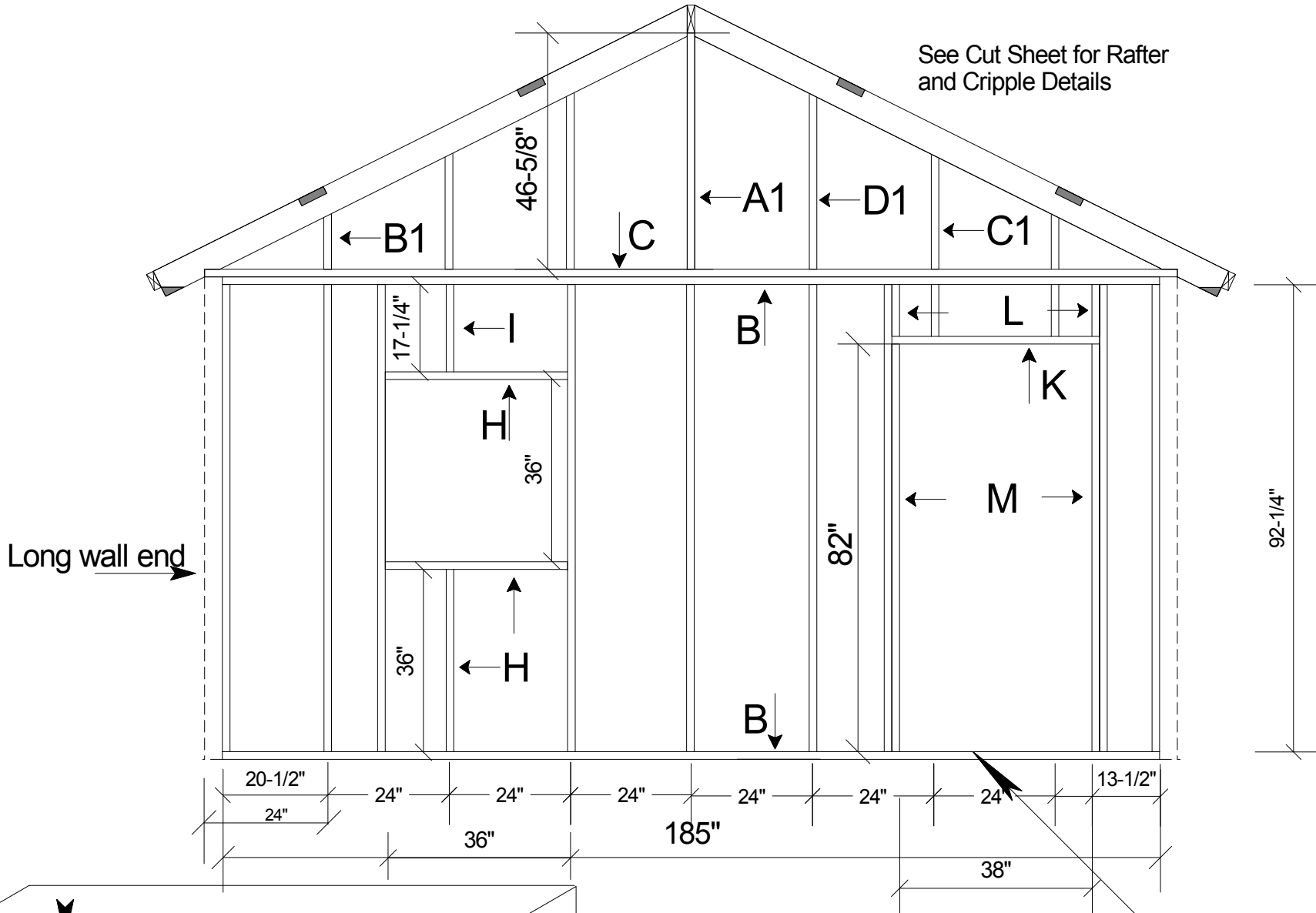
2"x 6"x 117-1/4" Ledger



Begin layout with measuring tape "hooked" one the end of the plate. Mark for 24" on center. Make two marks as illustrated. Center stud between points.

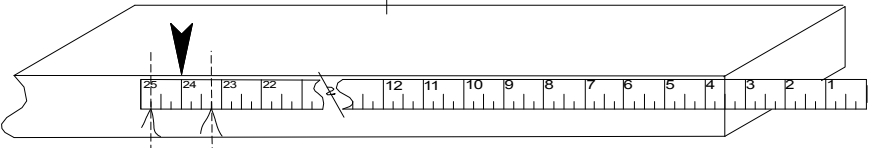
Detail 7 - Long Wall Framing Right Side

D-8 Casa de Dios - House Plans



Verify all door measurements. Note: Watch for Anchor bolt locations indoor way.

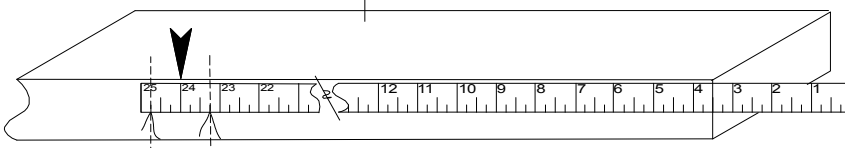
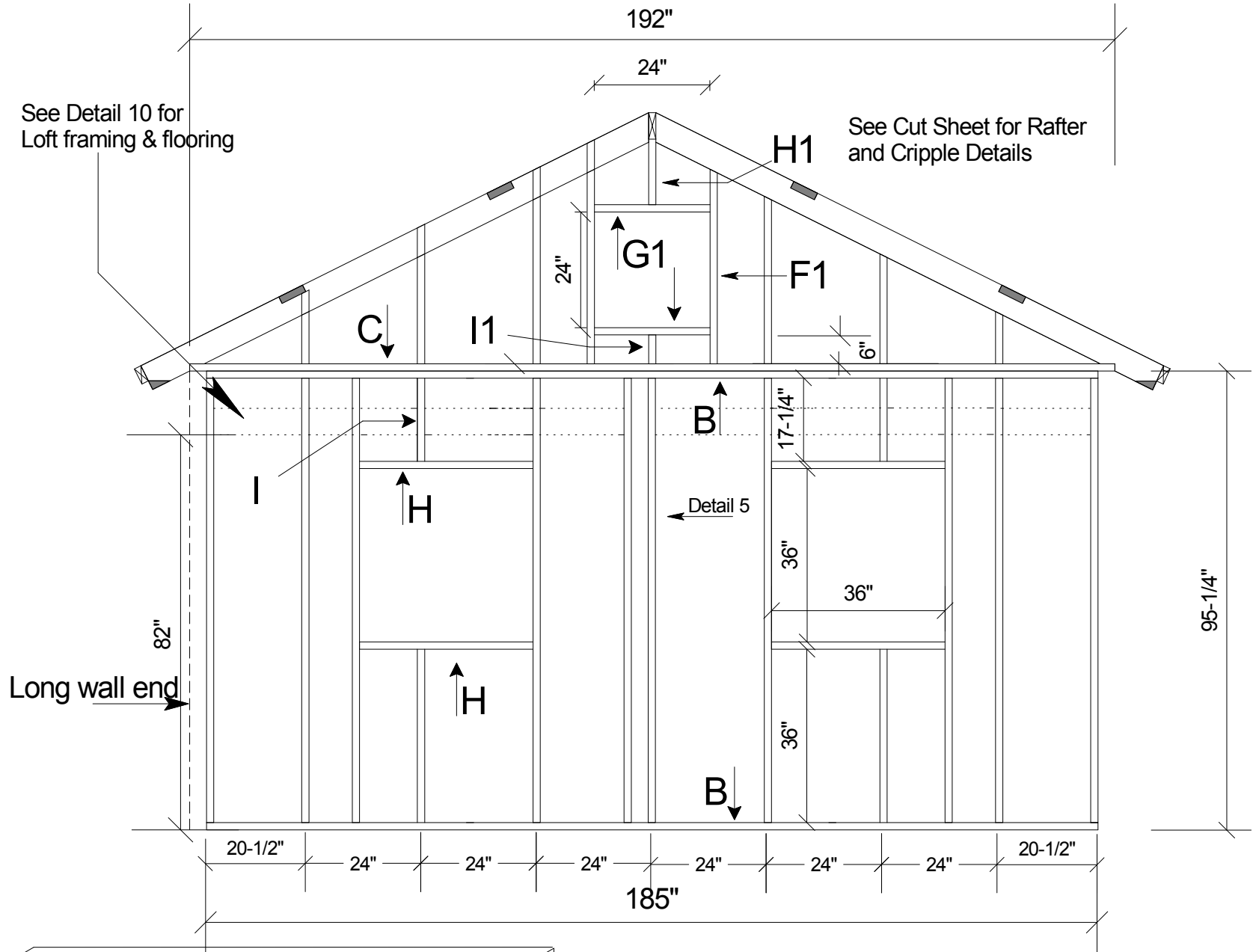
Detail 8 - Front Wall Framing



Begin layout with measuring tape 3 -1/2" past end of the end of the plate. Mark for 24" on center. Make two marks as illustrated. Center stud between points.

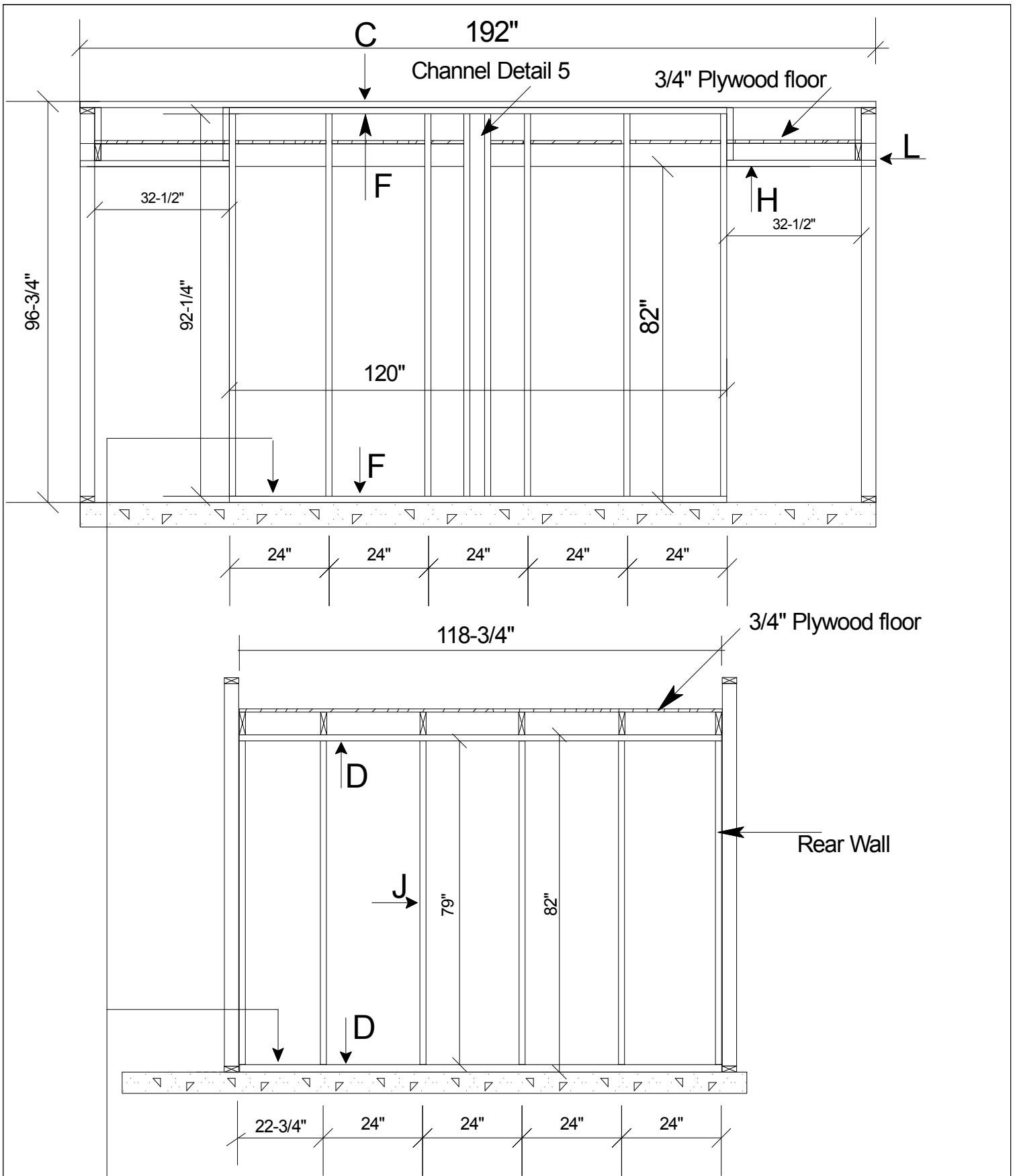
See Detail 10 for
Loft framing & flooring

See Cut Sheet for Rafter
and Cripple Details



Begin layout with measuring tape 3 -1/2" past end
of the plate. Mark for 24" on center.
Make two marks as illustrated. Center stud between points.

Verify all window measurements.
Detail 9 - Rear Wall Framing



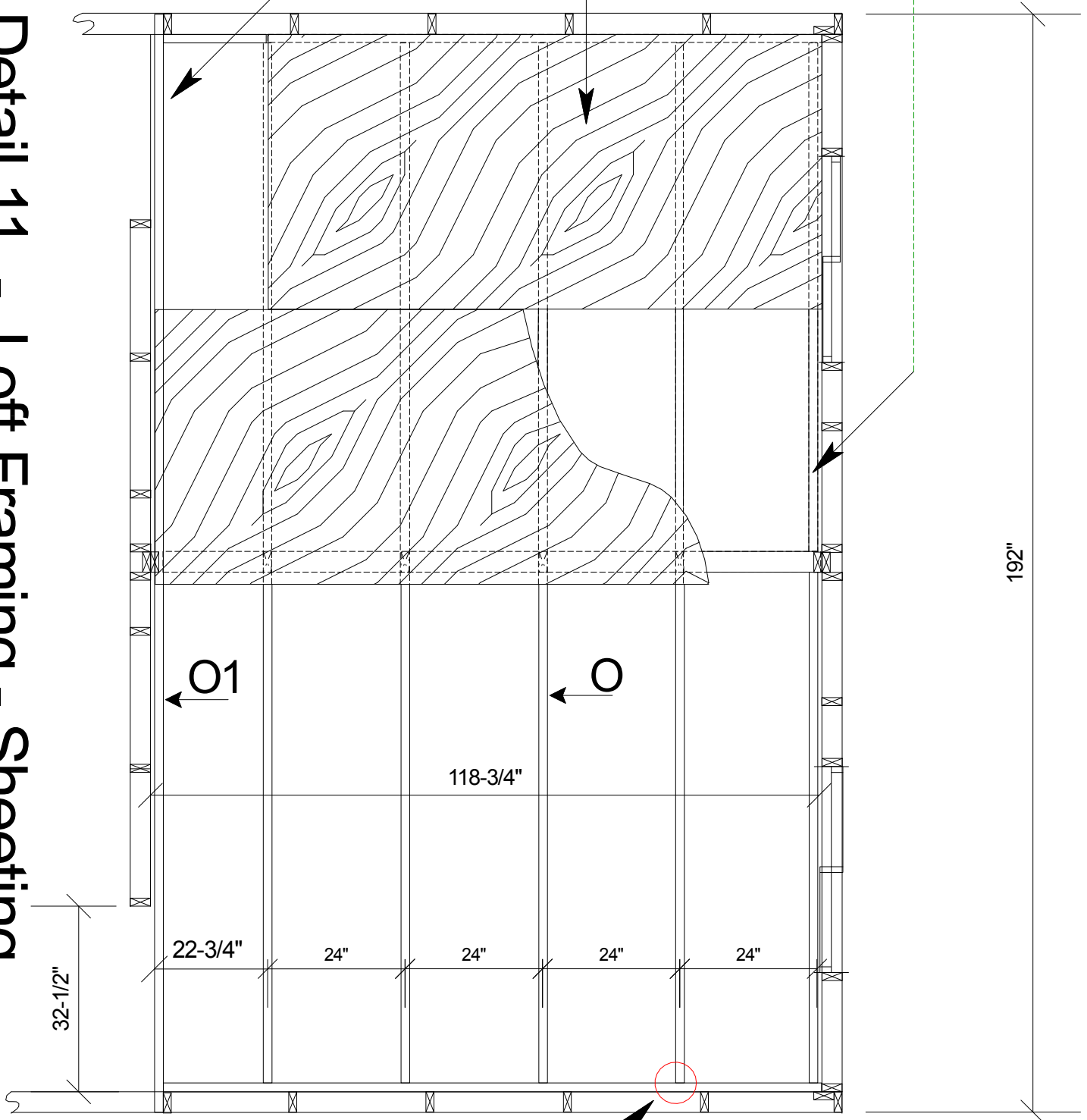
Detail 10 - Bedroom Wall Framing

This one 2x6 attaches to the dividing wall and is 192" long (16', Item O1 on the cut list) The other 5 loft floor joists are 182"

The other 5 2x6 floor joists are 182" long (Item O on the cut list) and attach to the 117-1/4" 2x6 on opposite walls as shown

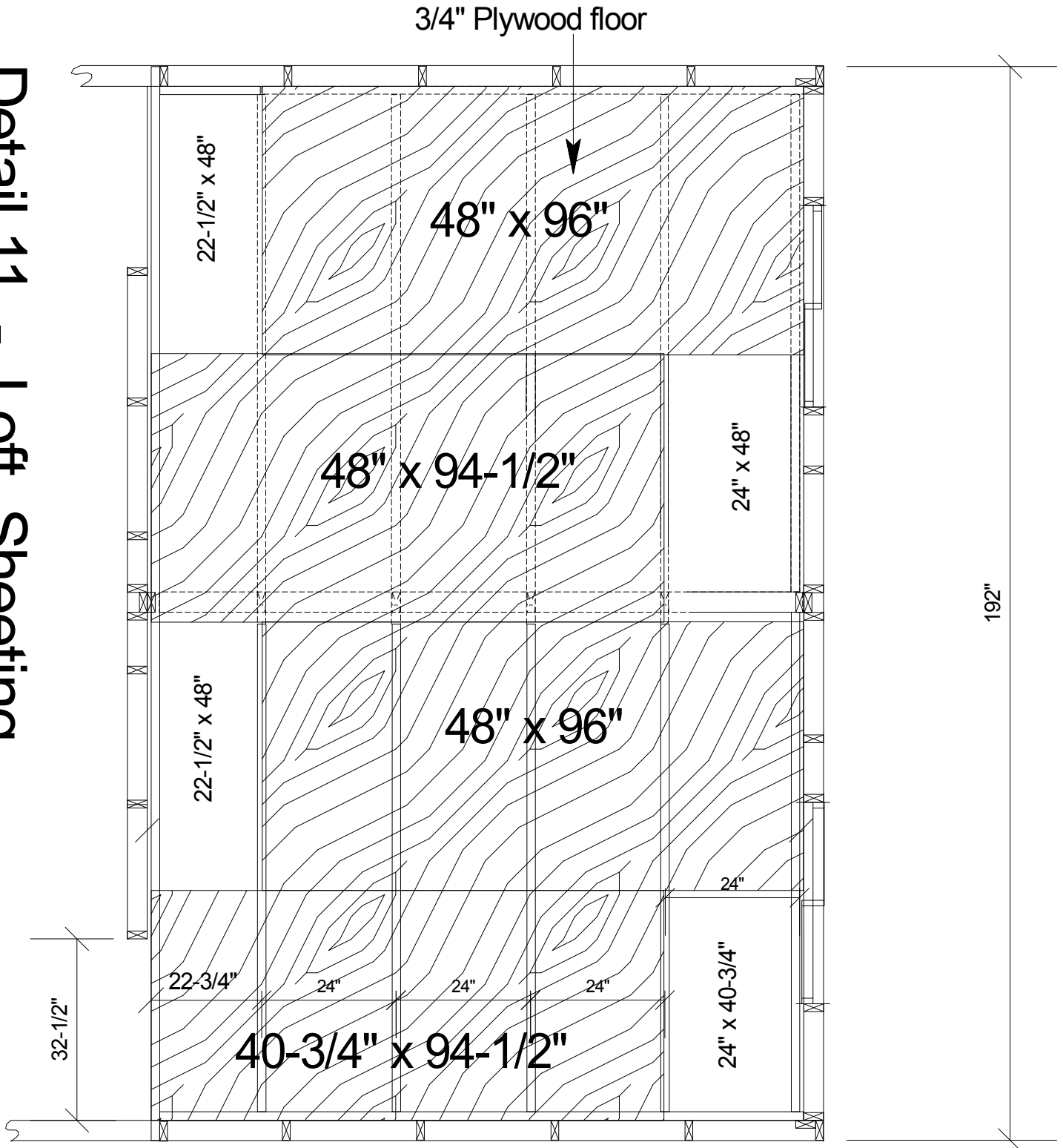
3/4" Plywood floor

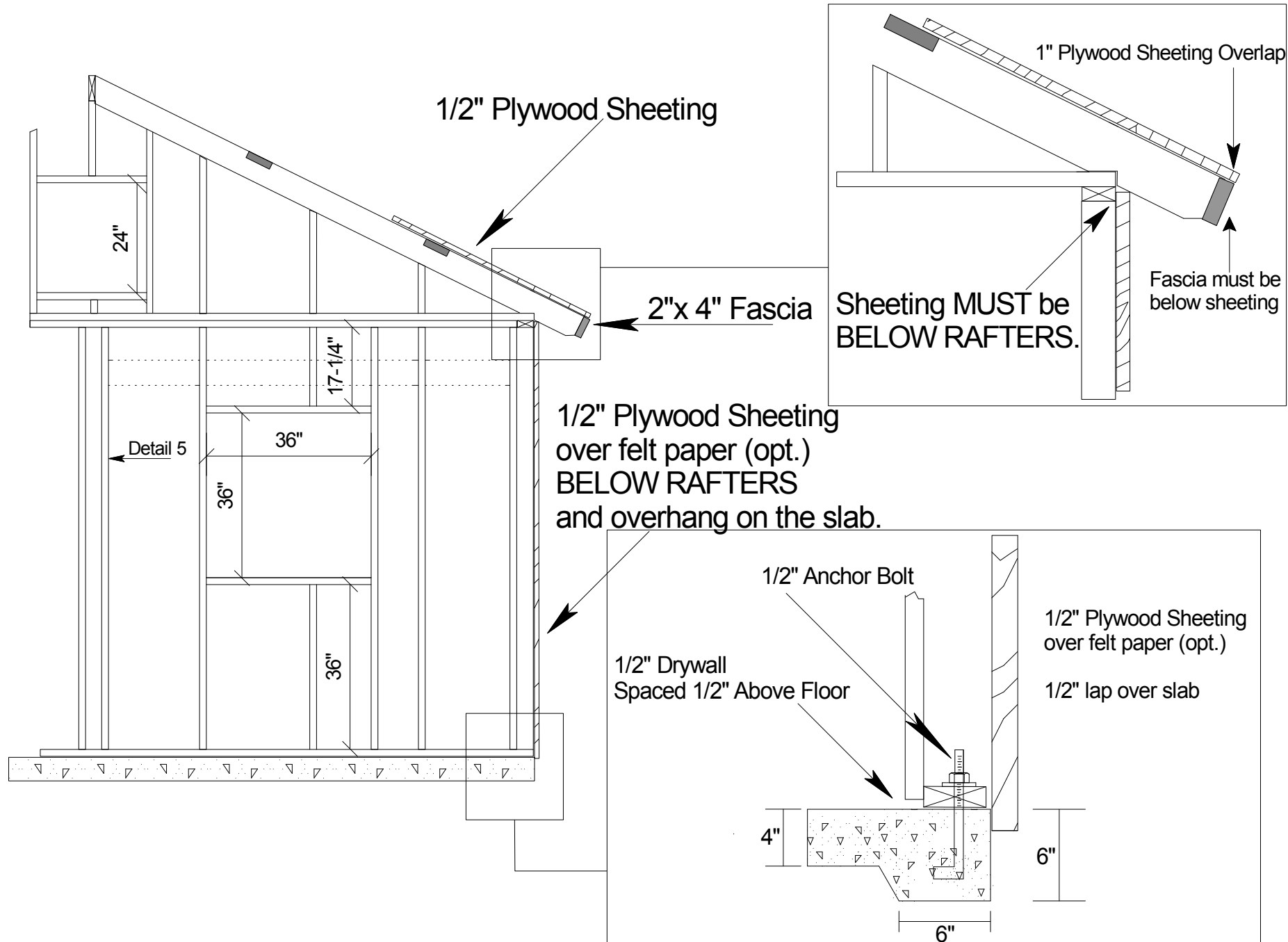
Detail 11 - Loft Framing - Sheeting



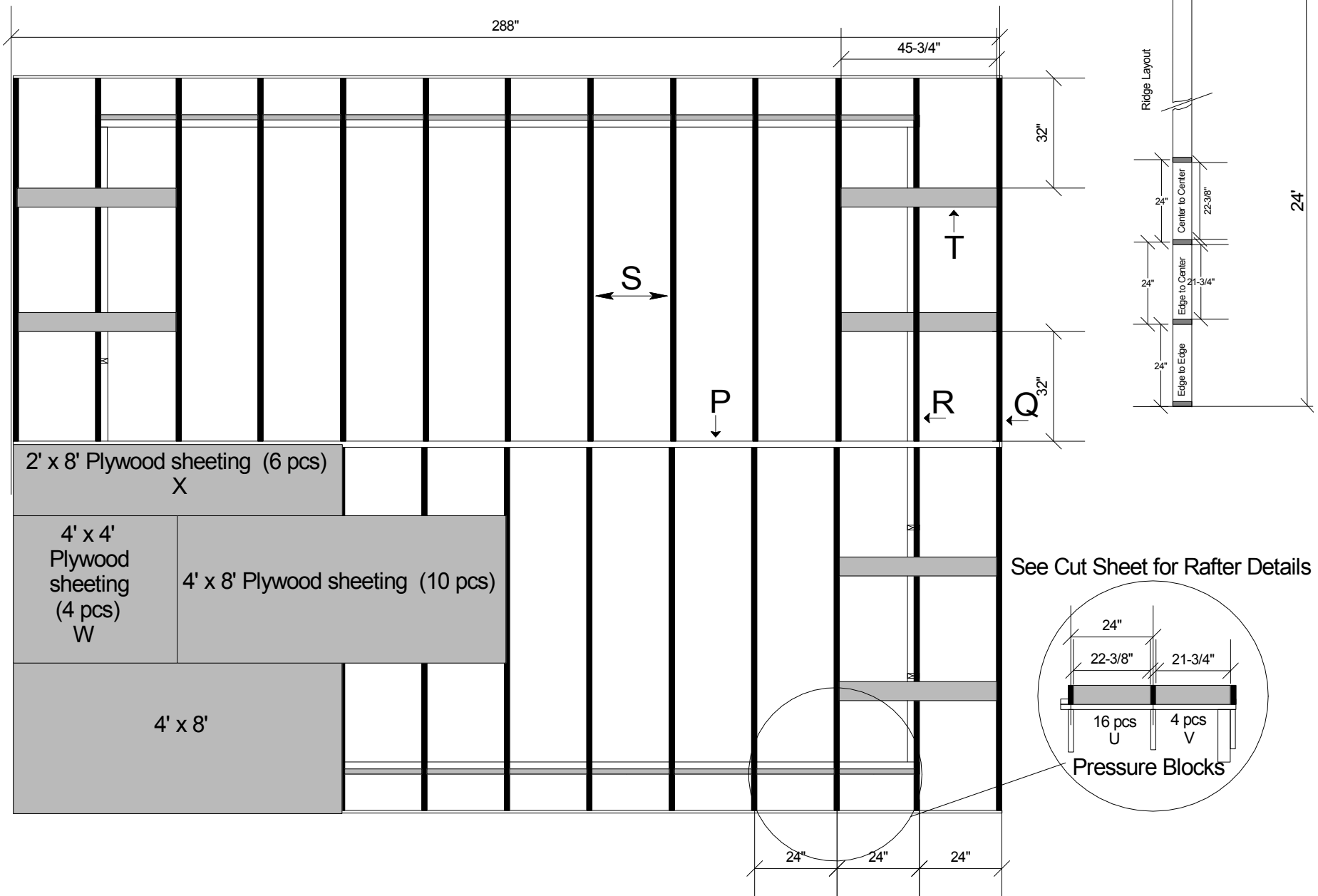
Note: Floor joists attach to 117-1/4" 2x6 (Item N on the cut list) and NOT to the exterior wall 2x4s

Detail 11 - Loft Sheeting





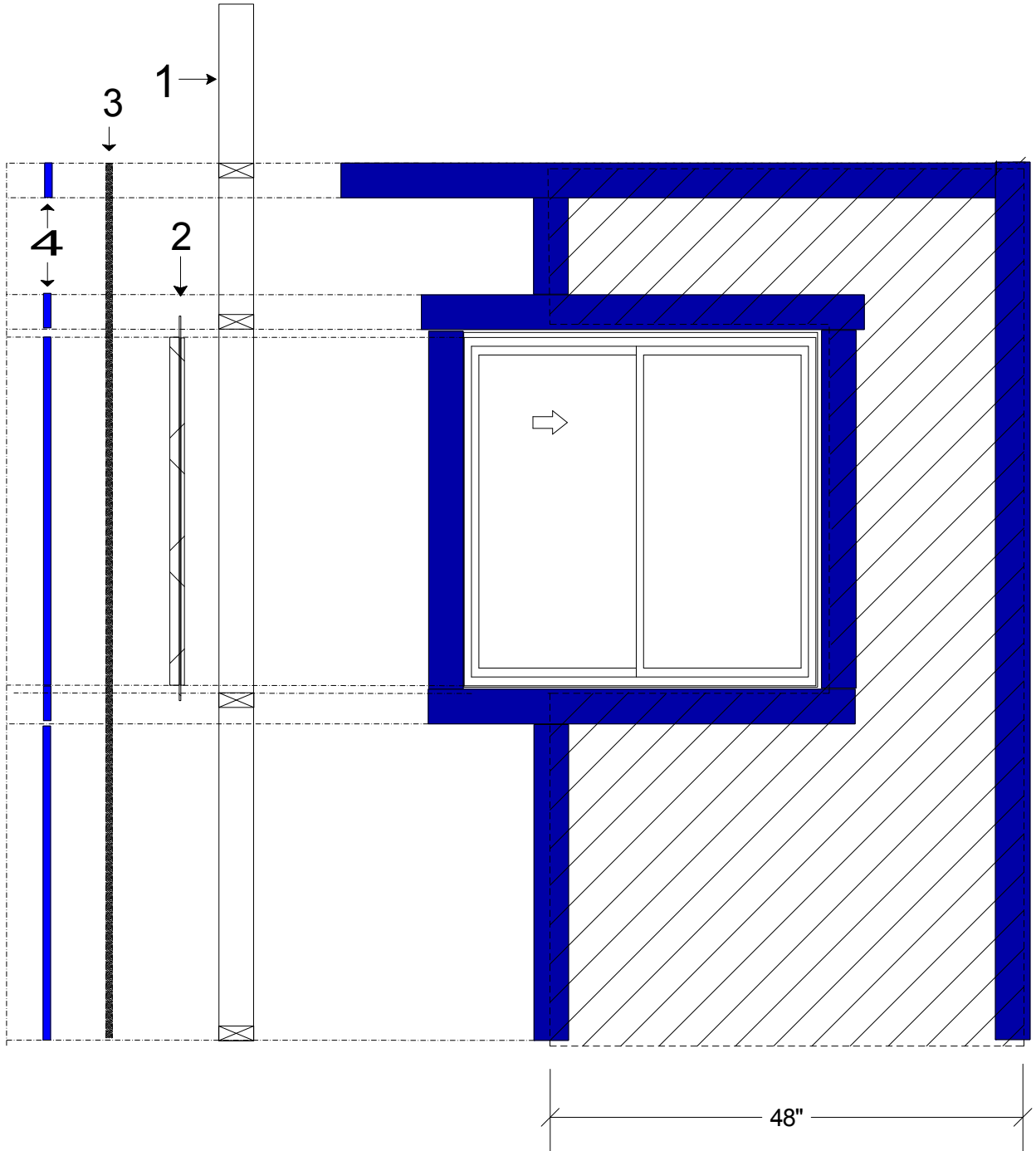
Detail 12 - Wall Section

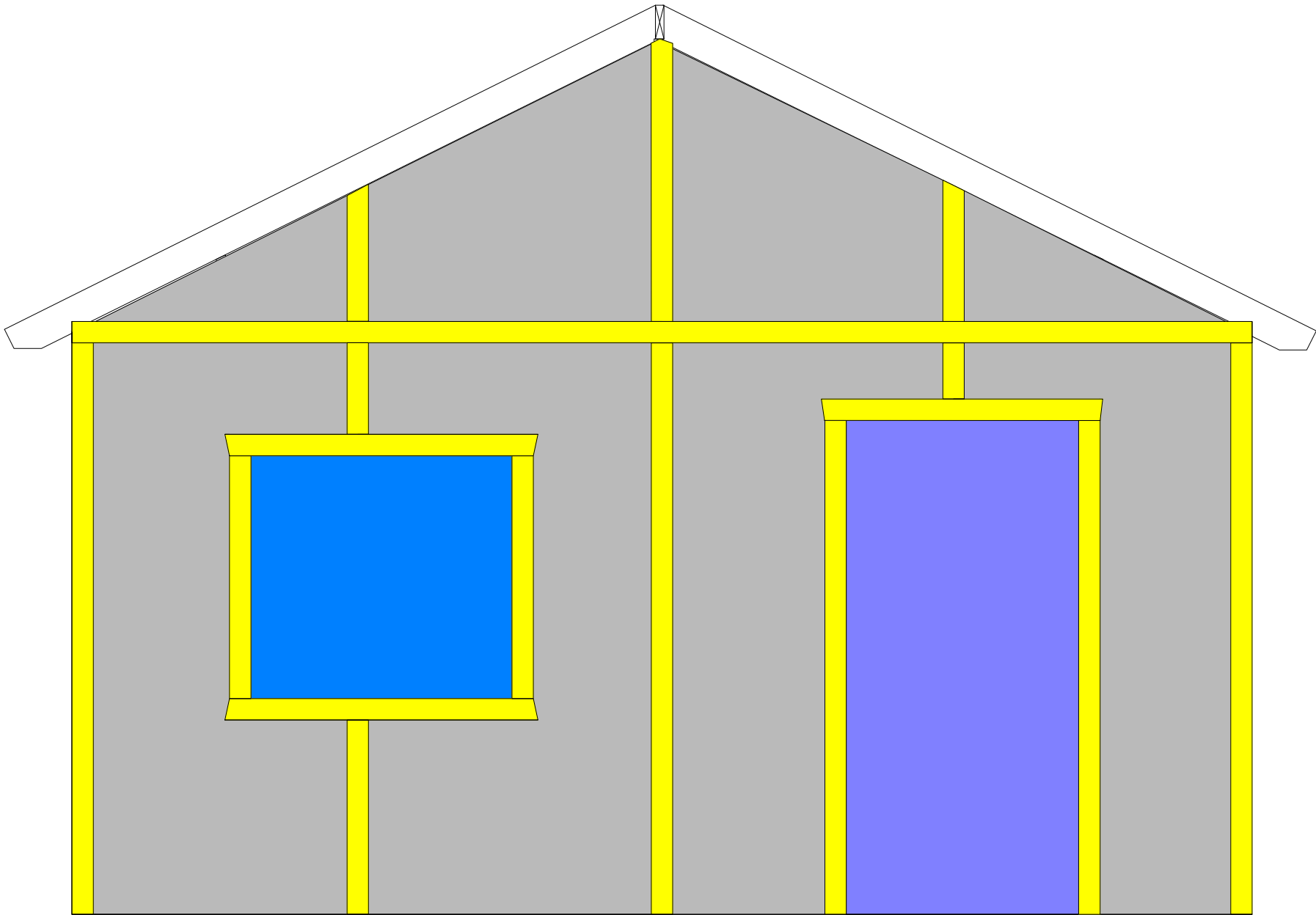


Detail 13 - Roof Plan - Top View

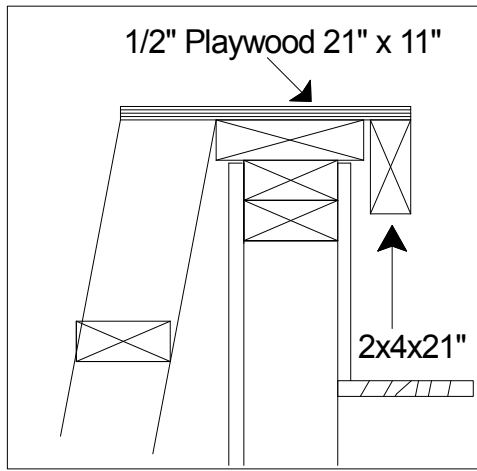
1. Framing First
2. Window Second - 1 Nail each corner
3. Plywood Third
4. Trim Last with caulking around the top and sides

Detail 14 - Window Installation Trim/Sheeting



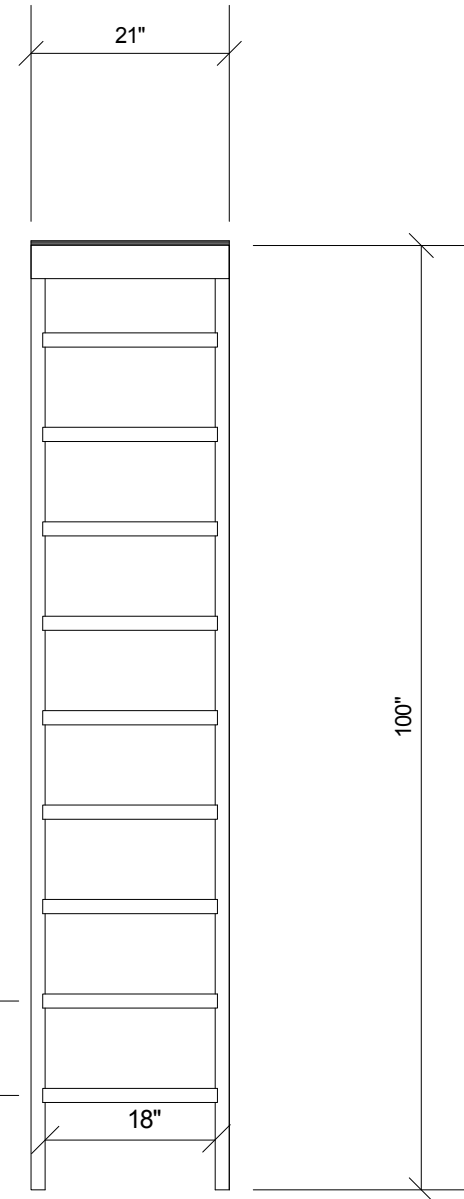
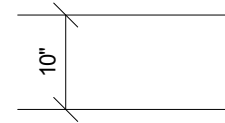
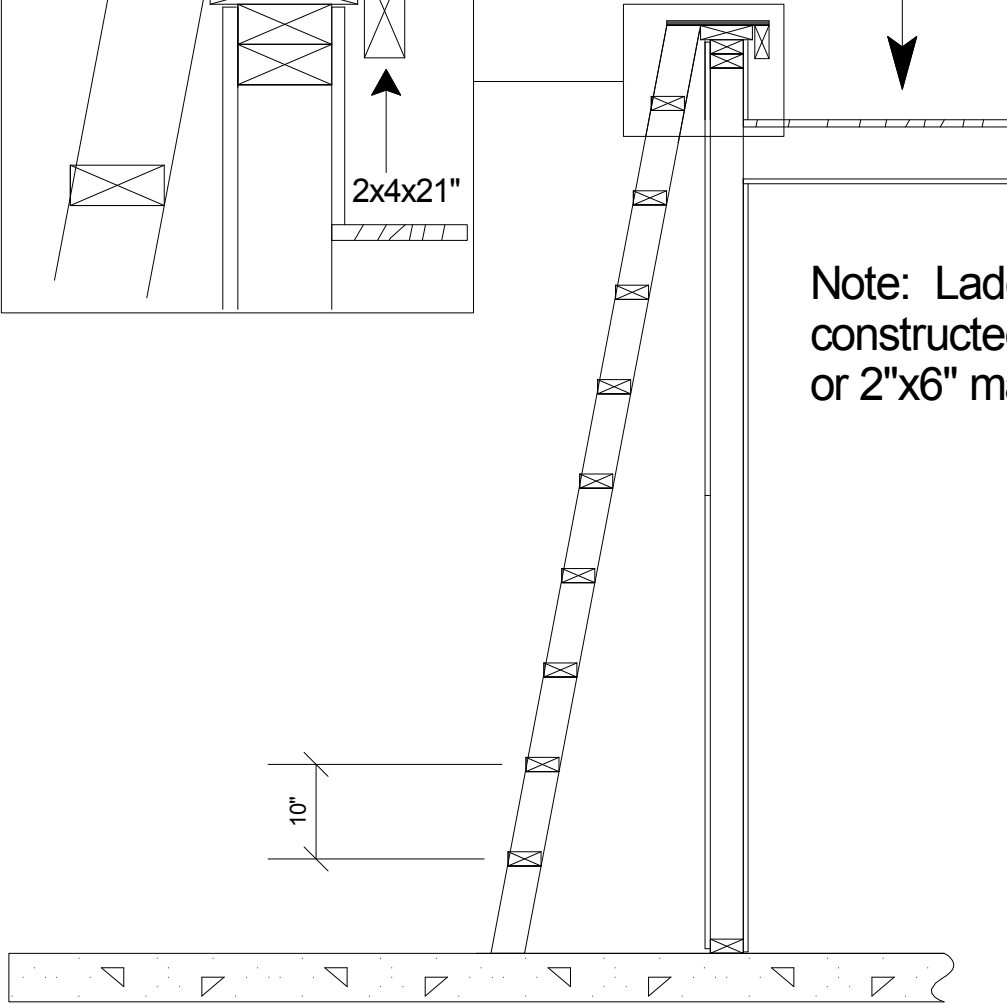


Detail 15 - Typical Trim

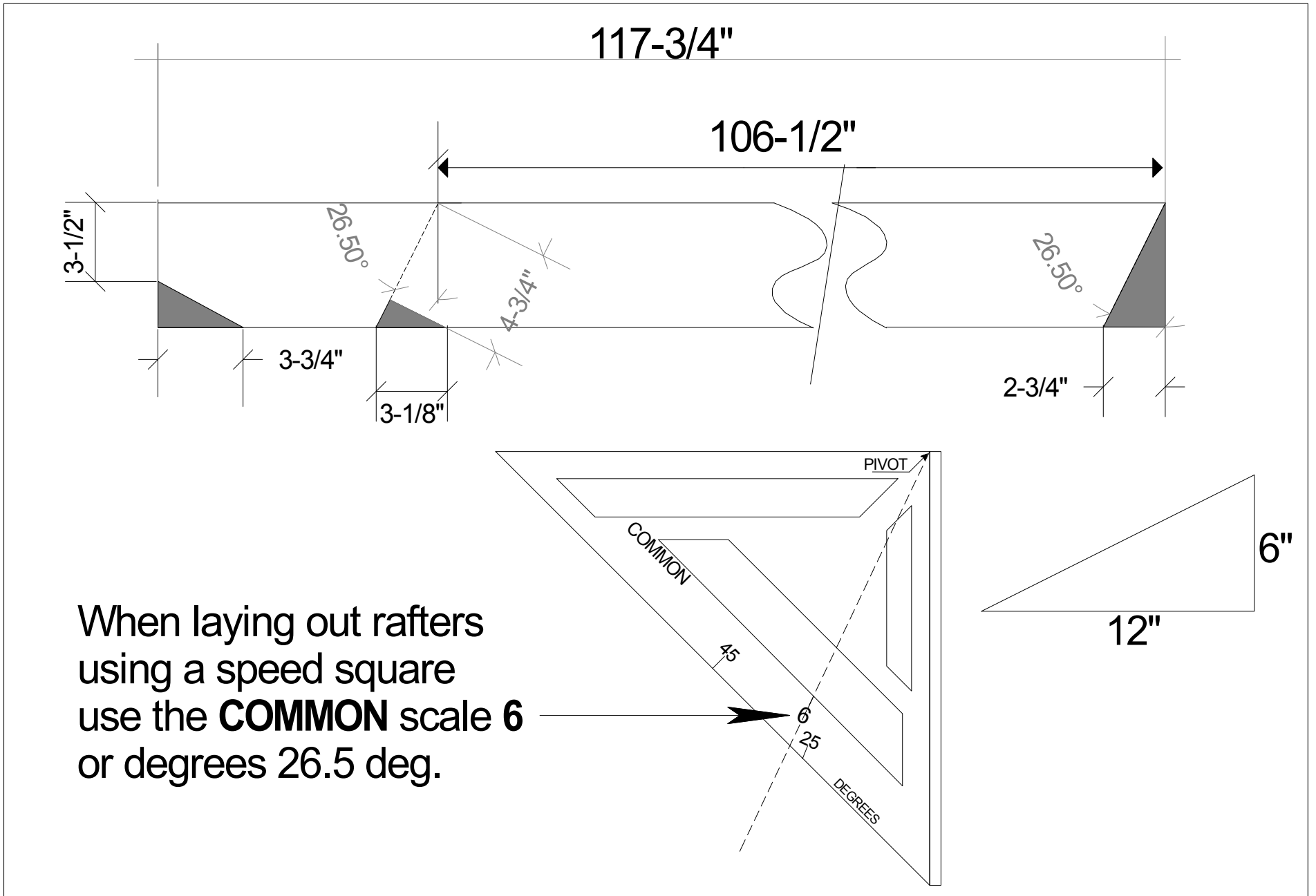


3/4" Plywood floor

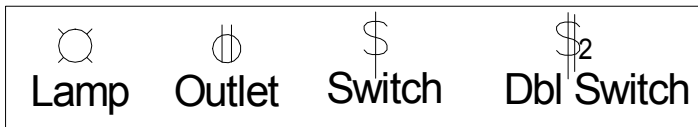
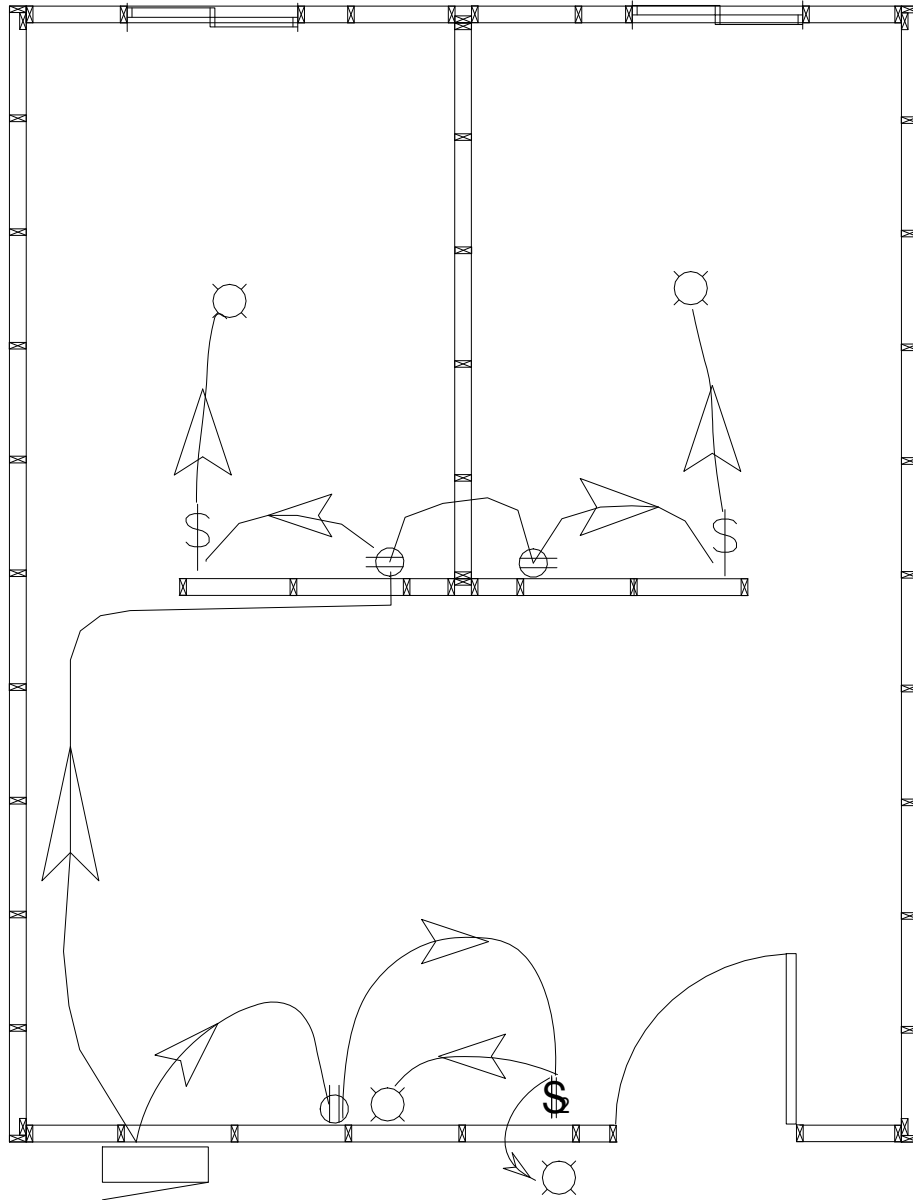
Note: Ladder may be constructed from 2"x4" or 2"x6" material.



Detail 16 - Ladder



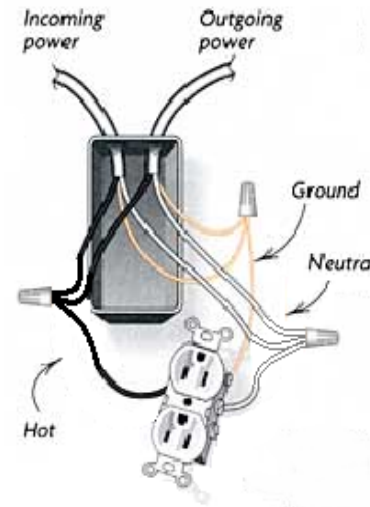
When laying out rafters using a speed square use the **COMMON** scale **6** or degrees 26.5 deg.



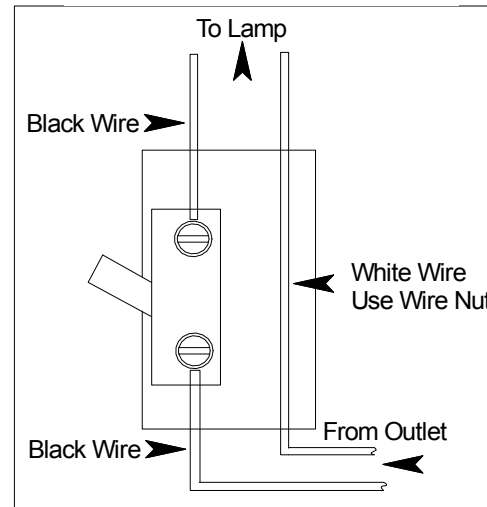
2 Circuits:
 First one runs to the bedroom outlets
 then to the switches then to the lamps.

Second one runs to the living room
 outlet - then to the switch then to the lamps.

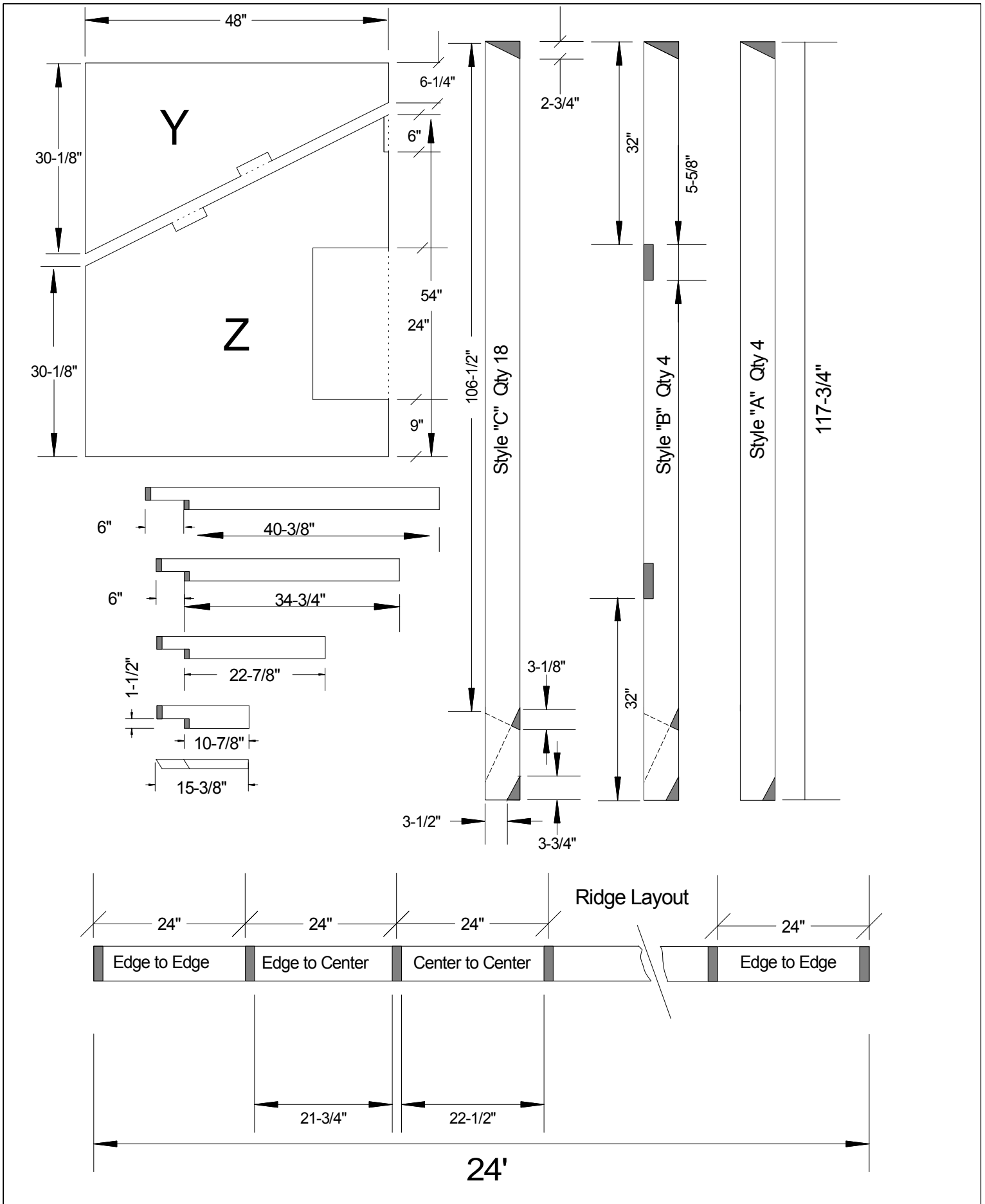
Note: ALWAYS use 3 wire nuts inside every blue plastic box,
 and then have a "pig tail" (that is what the little 8 inch extension
 is called) to connect to the plug.

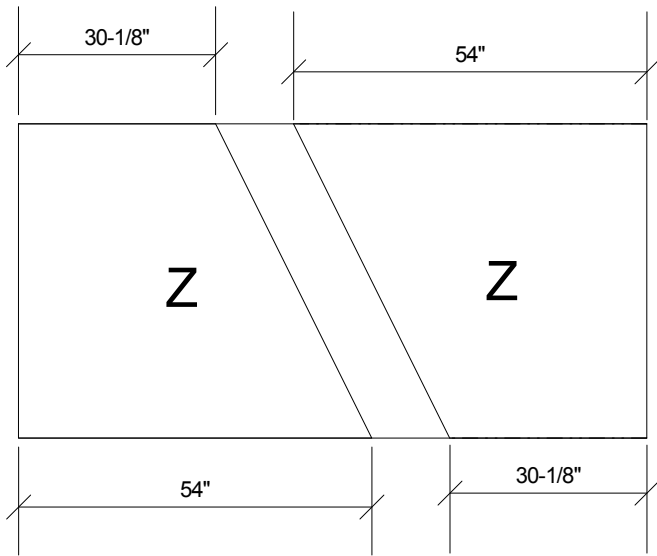


Install all outlet boxes
 18" above floor and
 switch 41" above floor
 and 1/2" out from stud.

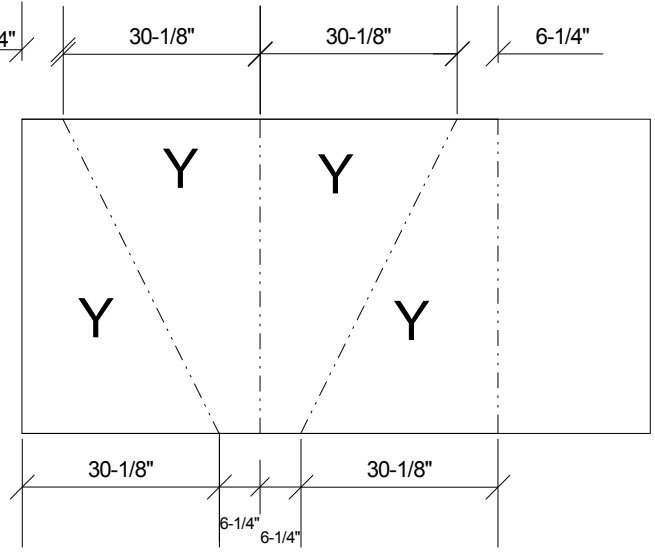


Electrical Outline

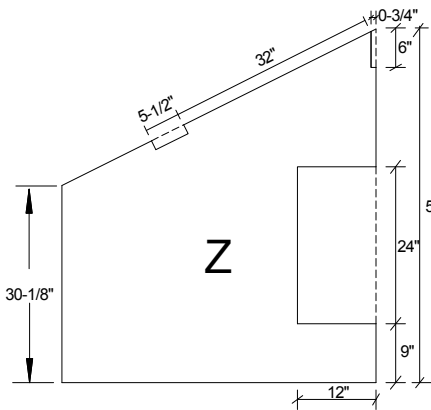




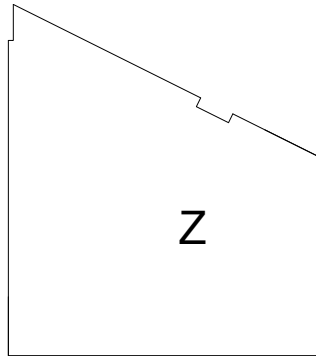
Make 4 letter Z's - 2 full sheets required



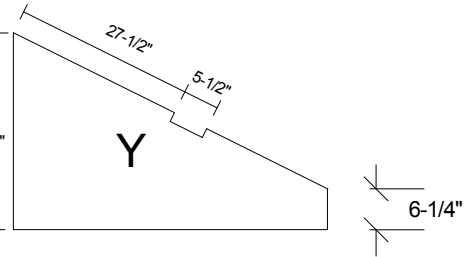
Make 4 letter Y's - 1 full sheet required



Cut 2 Pcs

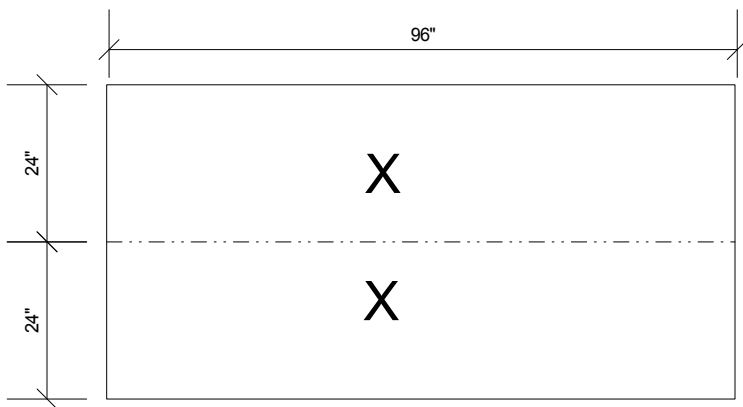


Cut 2 Pcs

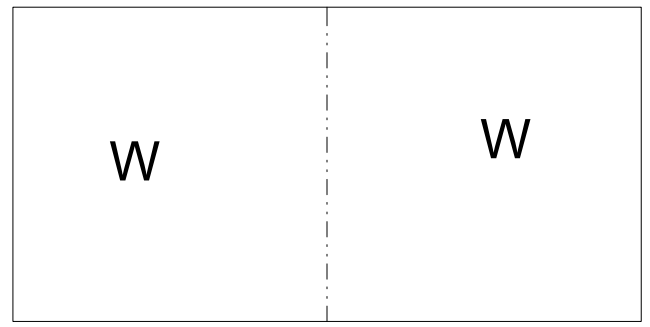


Cut 4 Pcs

Gable Endwall Plywood - Detail Cuts



Make 6 letter X's - 3 full sheets required



Make 4 letter W's - 2 full sheets required

Roof Plywood Cutting Diagram